

FJHD

恒富集团
HENG FUGROUP

恒达富士电梯有限公司
HENGDAFUJIELEVATOR CO.,LTD.

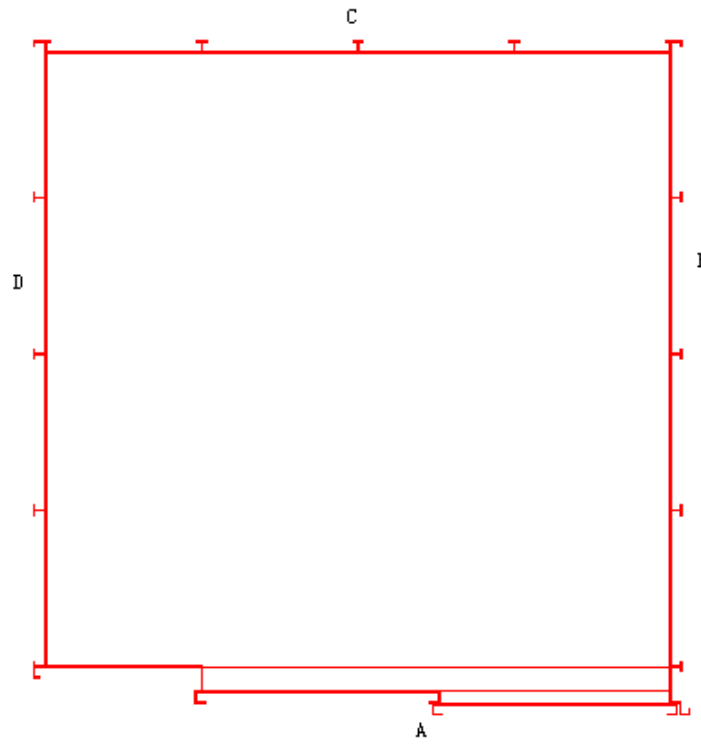
	1
	7
	11
	5S	14
5	17
6	23
7	34
8	46
9	50
10	53
11	59
12	65
13	67
14	70
15	71
16	72
17	73
18	75
19	76

FJHD

FJHD

-
- 2.0 m/s
- 10000 kg

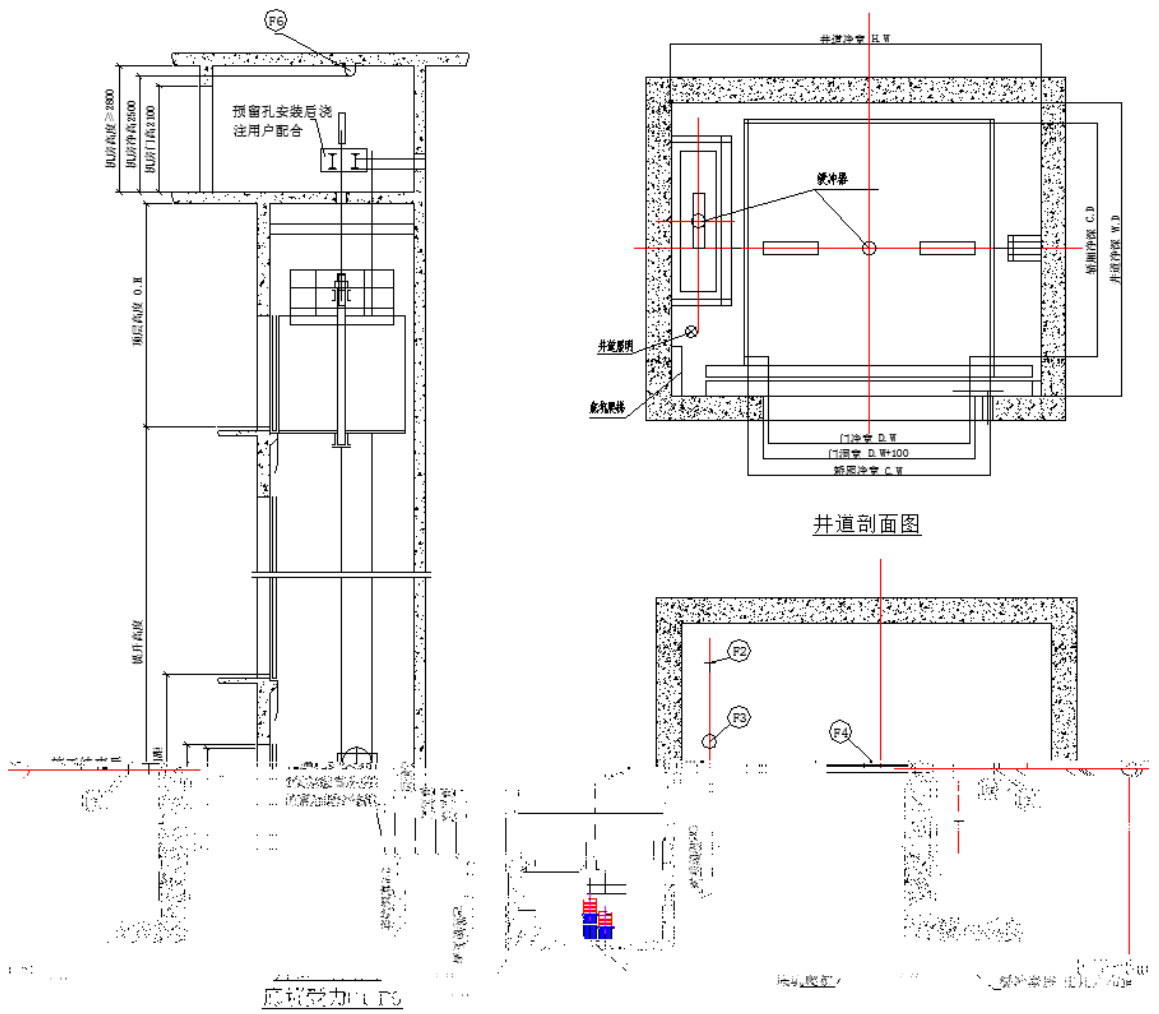
1-1



1-1

1-2

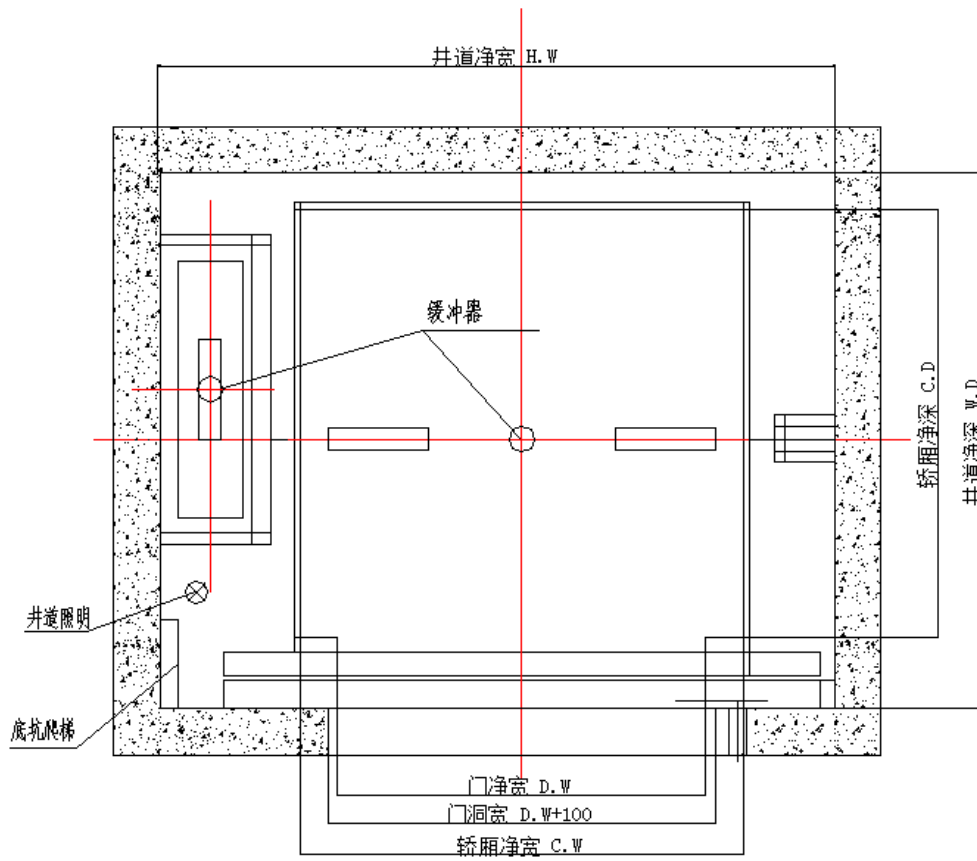
Q		kg	
V		m/s	
ELEVN			
NOF			
MF			
FFL			
CL			
D L			
!	!		
"	"		
C	C		
D	D		



1-2

1-3

OH		mm	
#D		mm	
JDJ\$		mm	
JDJS		mm	
H1		mm	
%&		mm	
		mm	
J		mm	
' \$		mm	
' S		mm	
		mm	



1-5

0.5

4

H. ')		mm	
H.D		mm	
' .S		mm	
' .S		mm	
L&		mm	D. ') 100
D. ')		mm	

1-4

5

- ◆
- ◆
- ◆
- ◆
- ◆

2.1.5

2-1

-	
	1

2	

2.2.

2-2

2.3.


2.4.

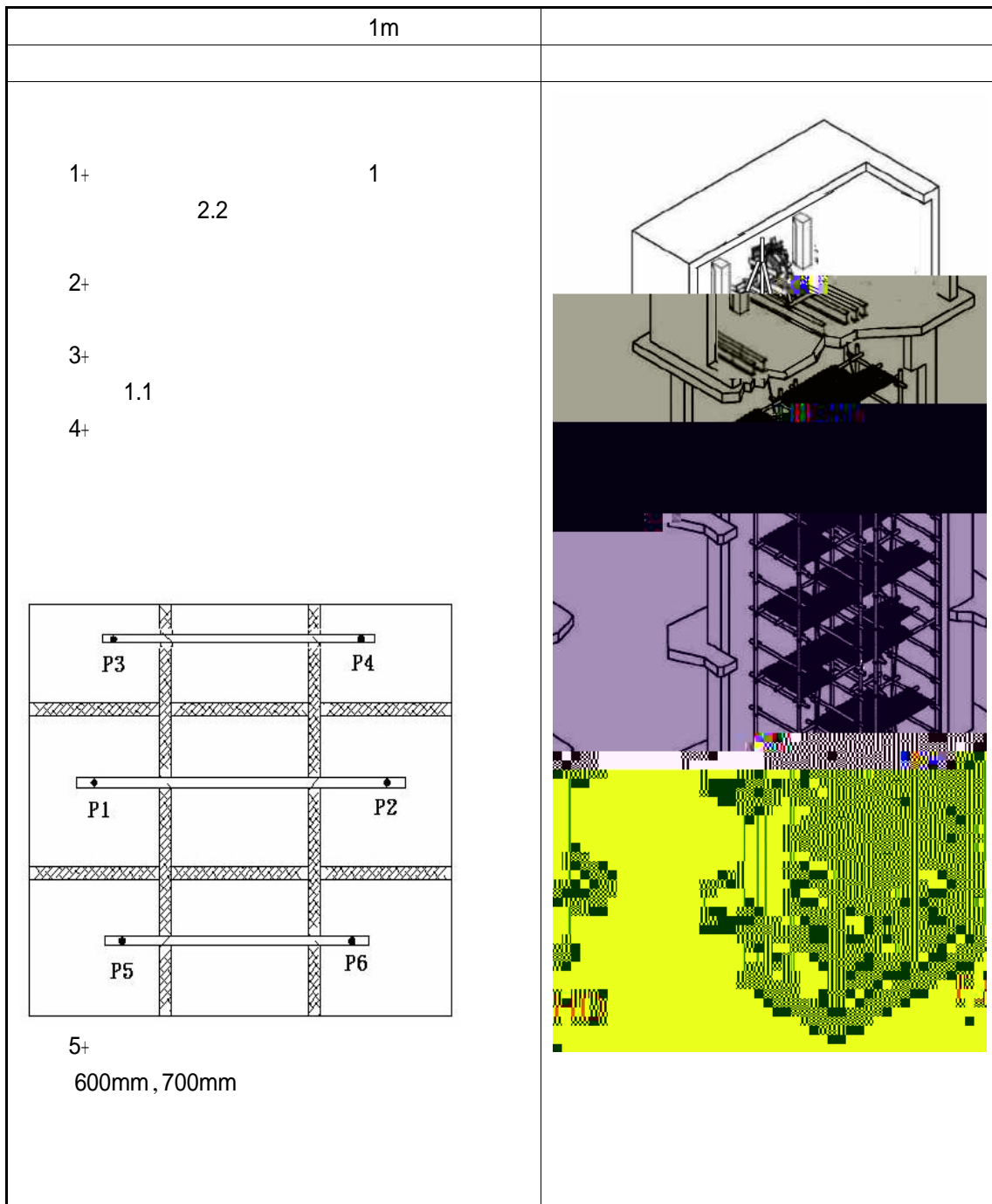
2-3

1.8
2.0
300mm

3.1.

3-1

100*	
	20
1.5m	

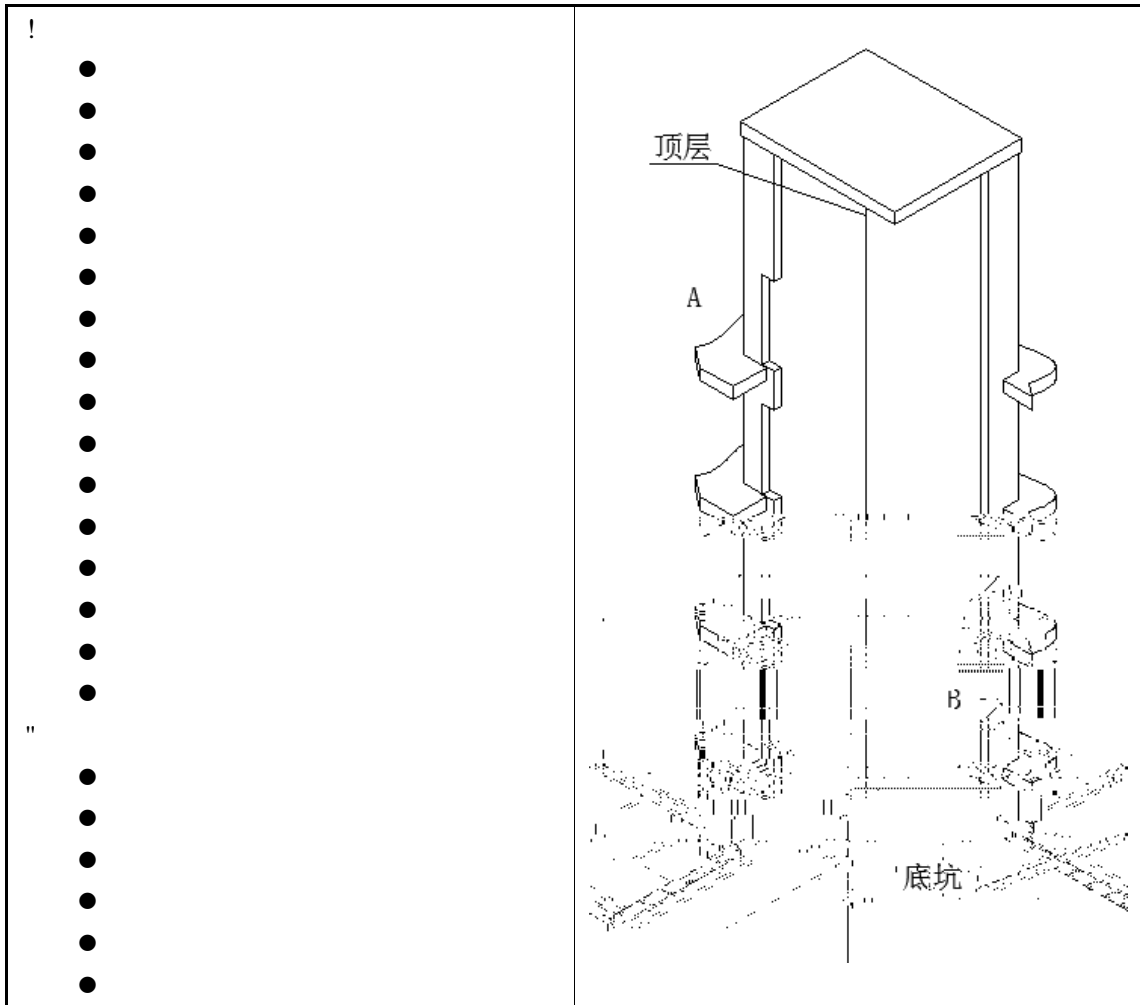


3.2.

5S

-
-
-
-
-
-
-
-
-
-

20
21

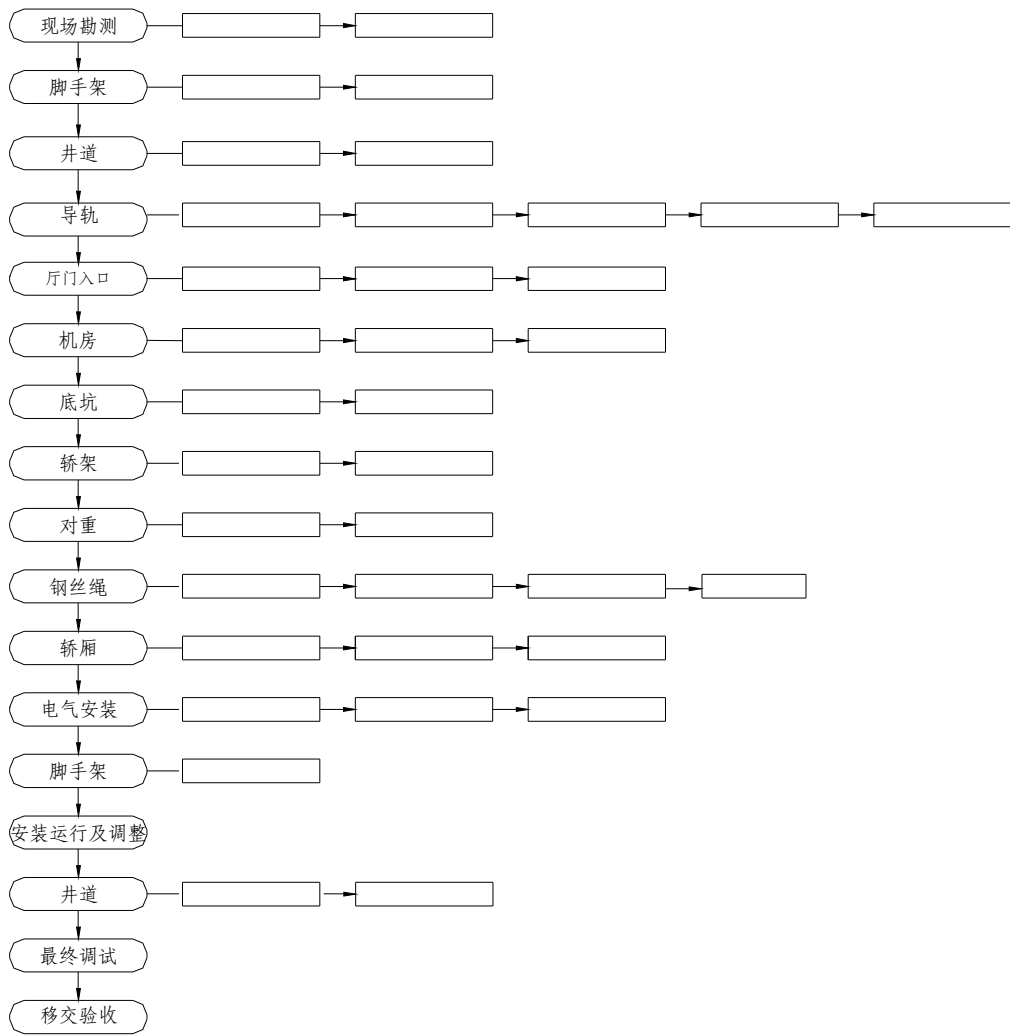


4.2. 5S

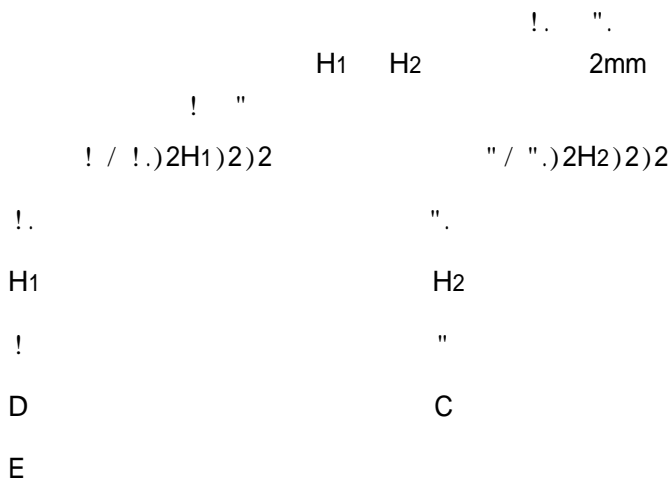


4.3.

4-1

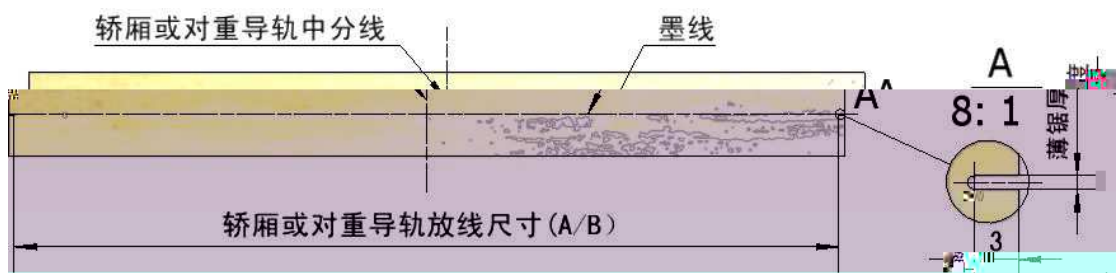


5.4



5.4.1 ! "

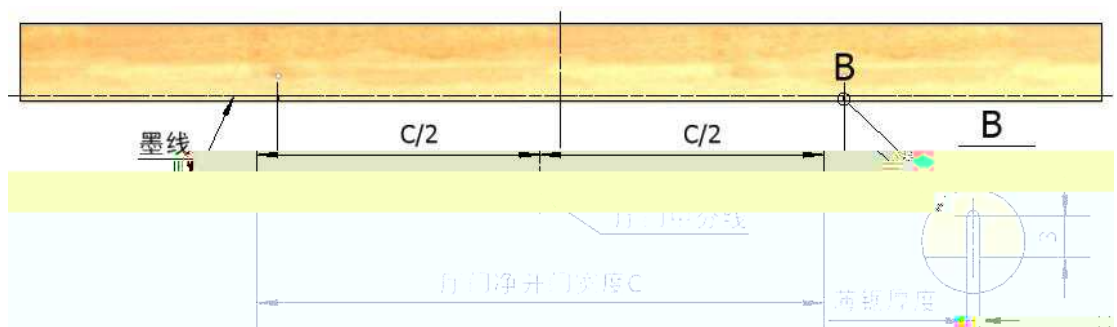
! / 2 " / 2



5-1

5.4.2 C

C/2

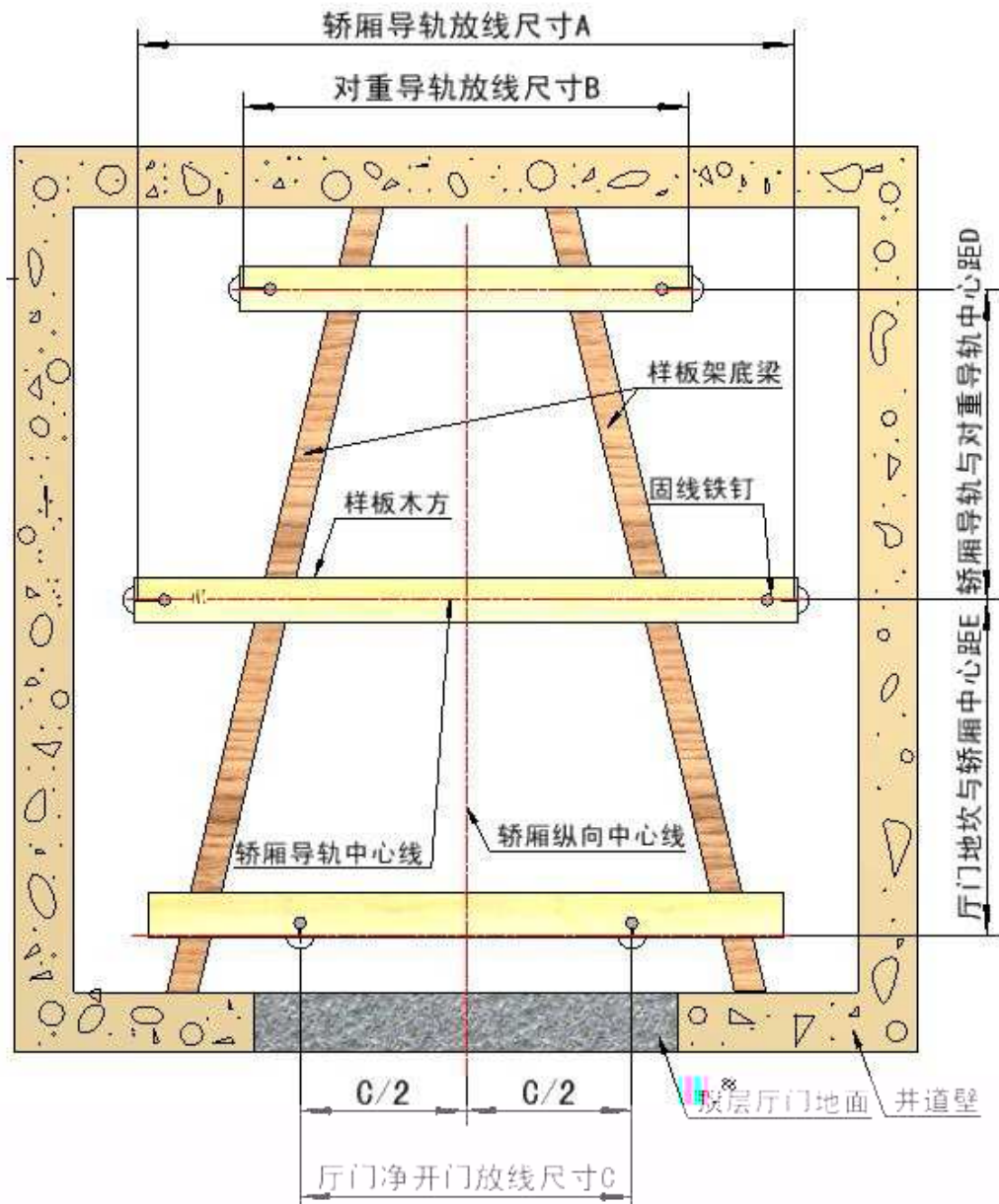


5-2

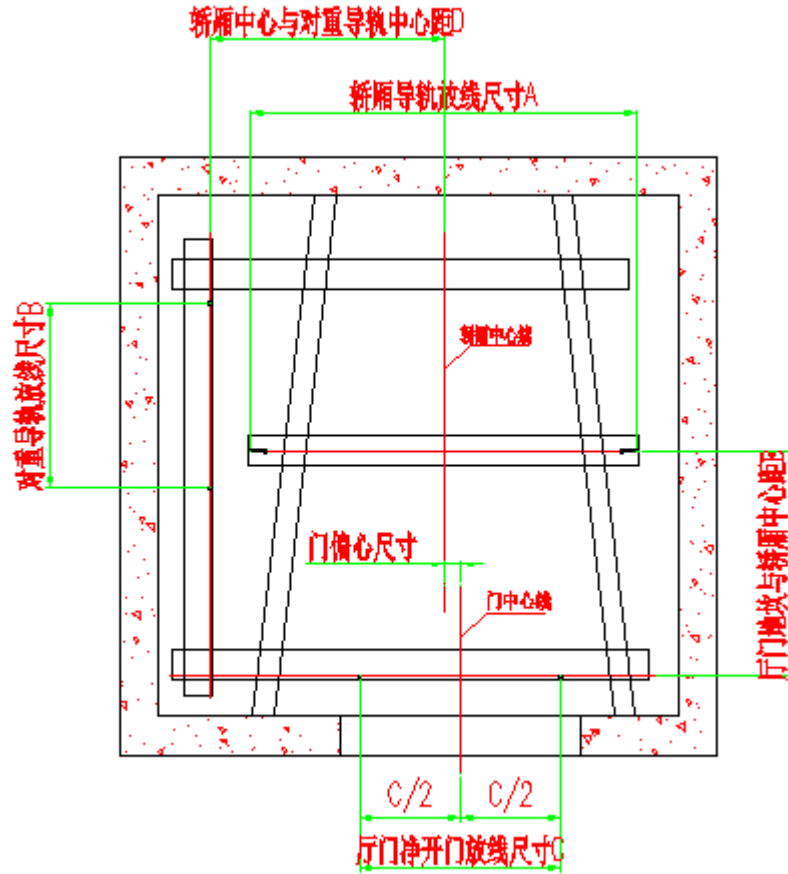
5.5

- 0. 5mm
- 1. 1mm
- 2. 1mm

5.6.



5-3



5-4

5.6.1

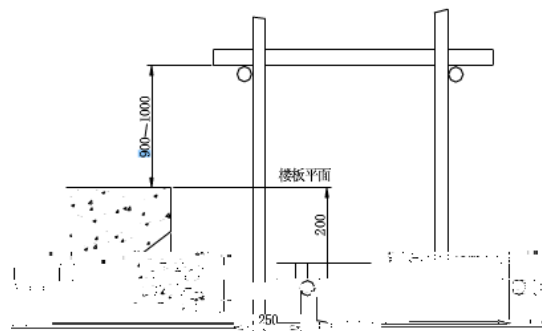
223

5.6.2

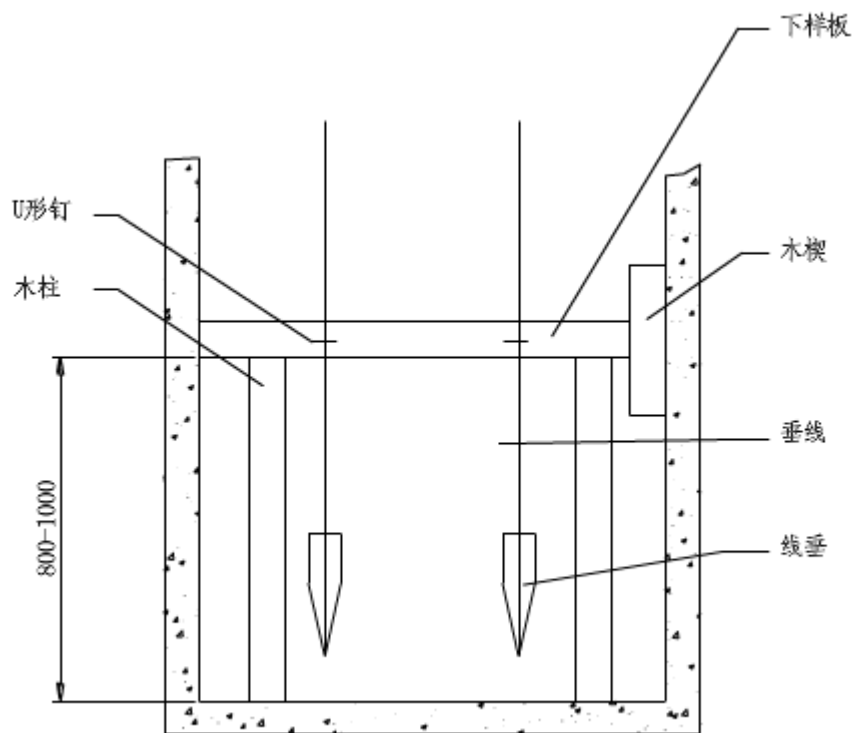
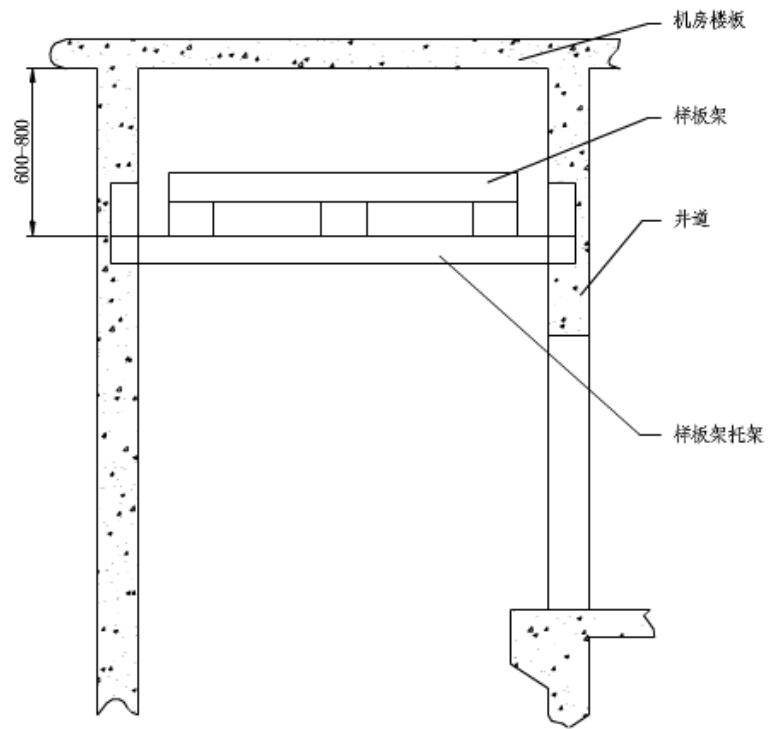
D E

1/1000

0.5mm



5-5



5.6.3

5.6.3.1
2018

5.6.3.2

30mm

5.6.3.3

5.6.4

0.5mm

0.5mm

5.6.5

6

6.1

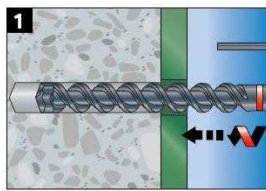
2.5m

5mm

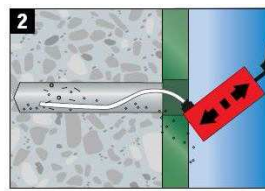
6.1.1

8-10mm,

3-5mm



钻孔



吹出尘土和碎末



6-1

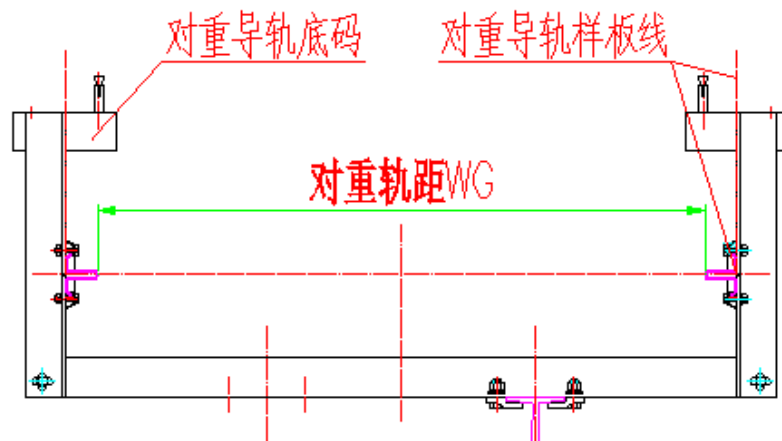
6.1.2

6.2

4

H

F

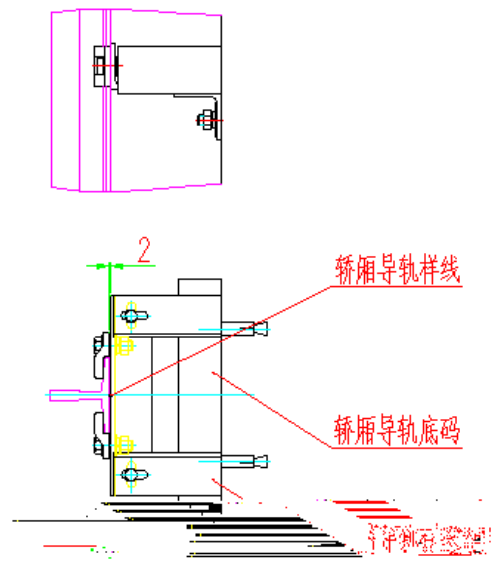


6-2



6-3

6.3

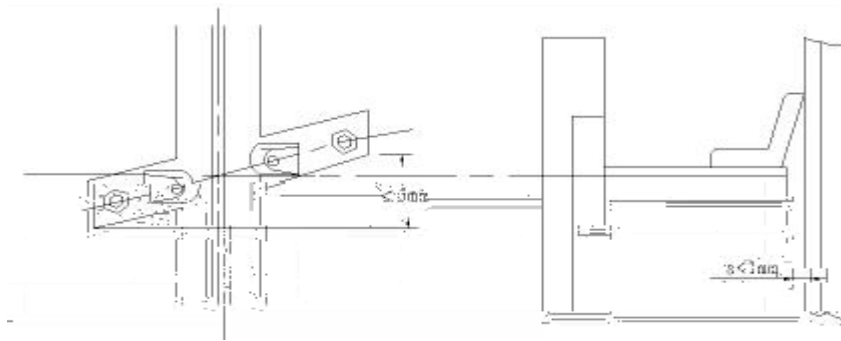


6-4

5mm

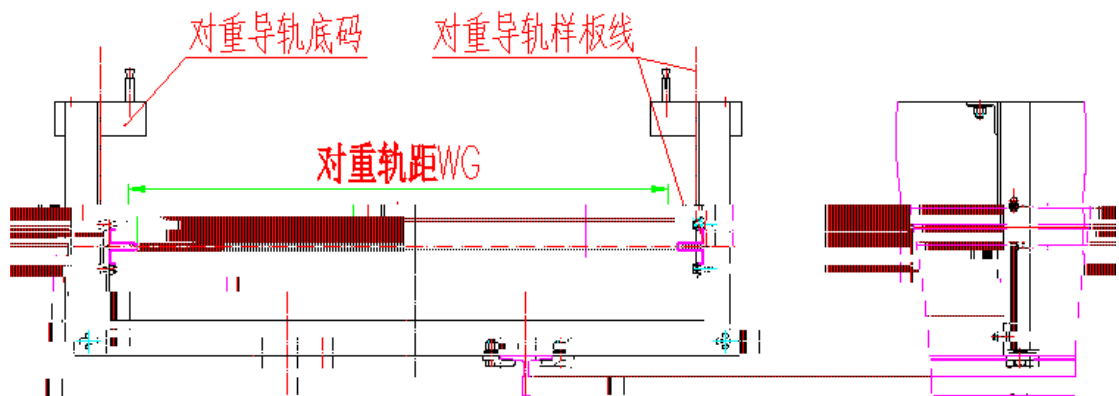
a 1mm

:



6-5

6.4

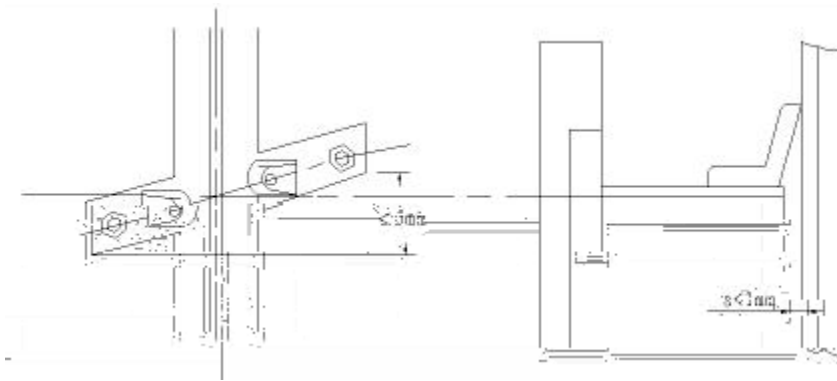


6-6

5mm

a 1mm

:



6-7

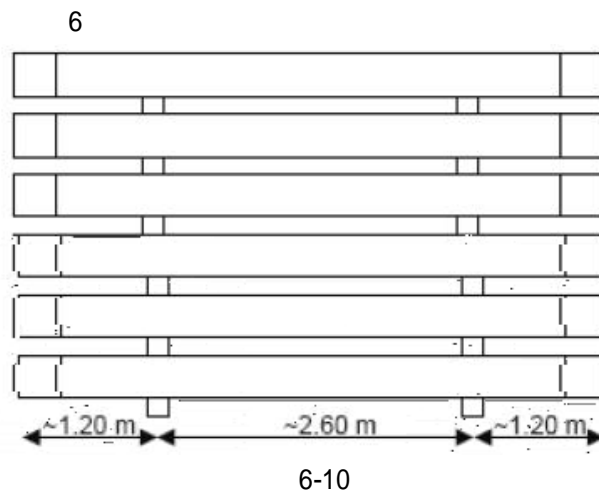
6.5

6.5.1

0.

2.

(



6.5.2



6.5.3

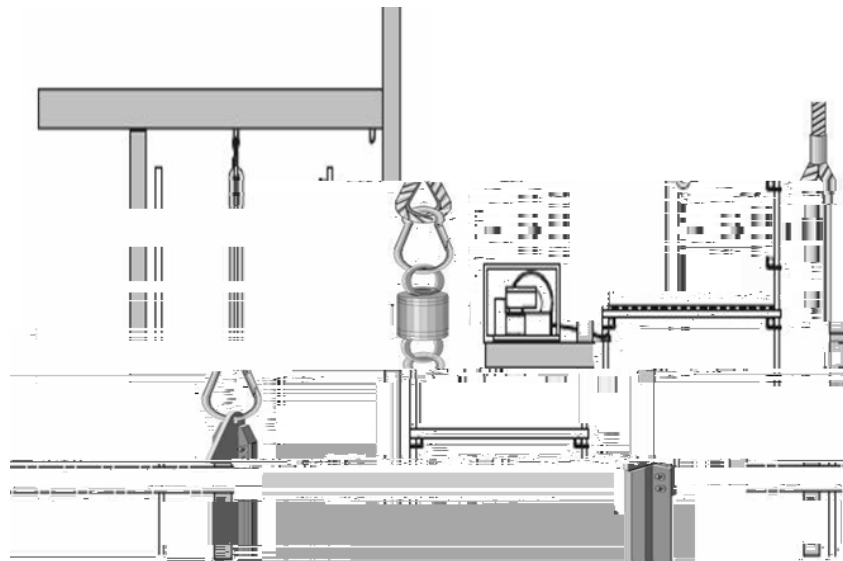
C!D

5m 5m 5m



6-12

6.5.4



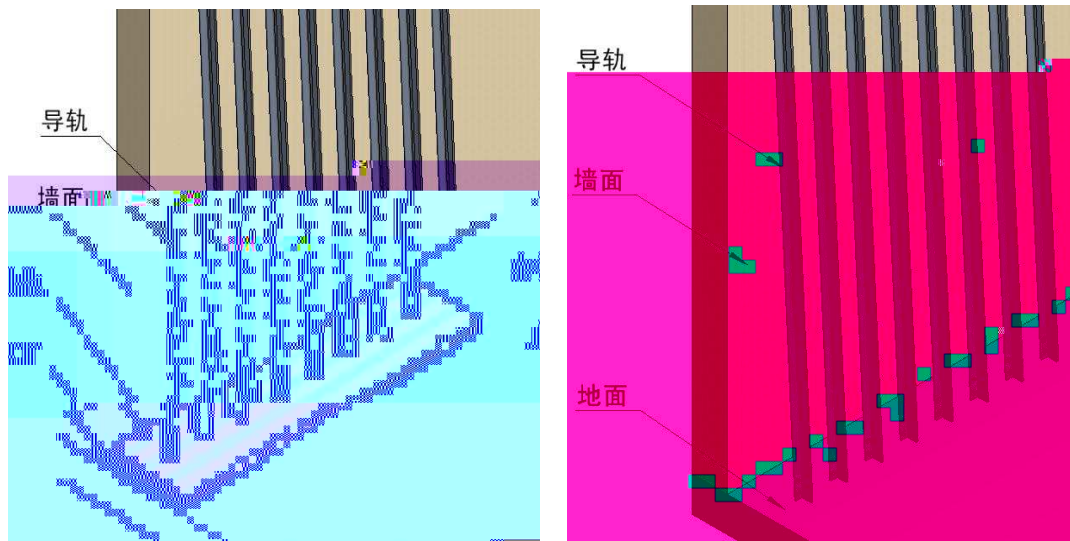
6-13

6.5.5

6.5.6

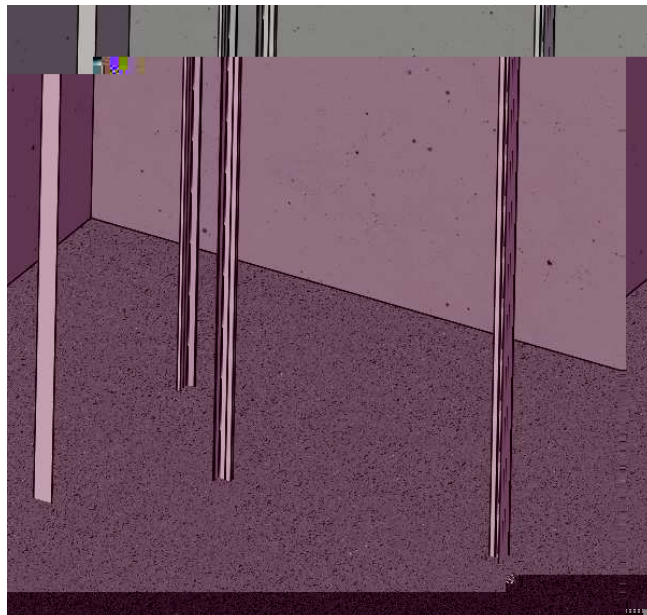
1/1000

6.5.7



6-14

6.6



6-15

6.7

1+

2+

3+

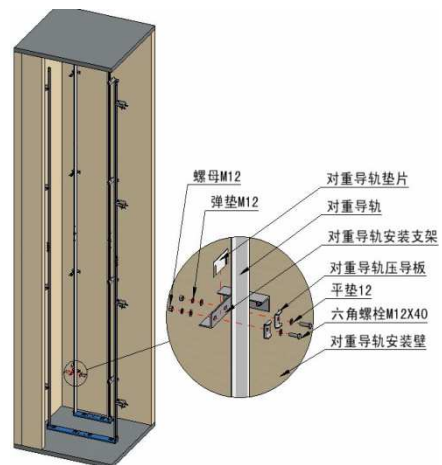
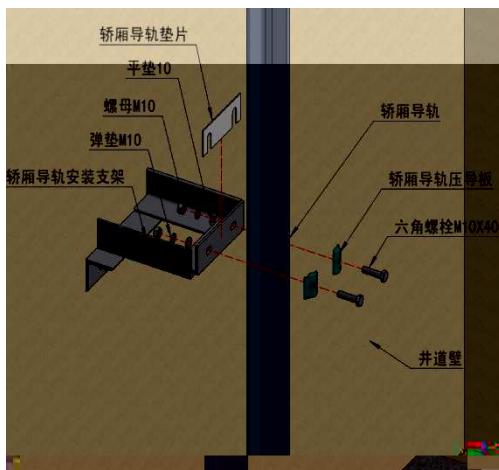
4+

5+

6+

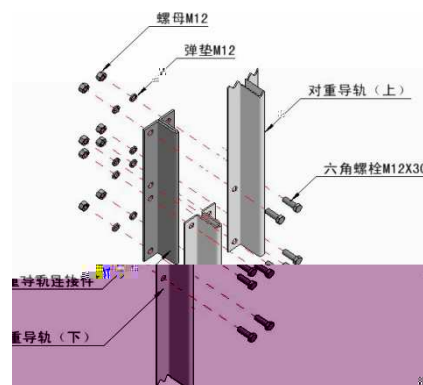
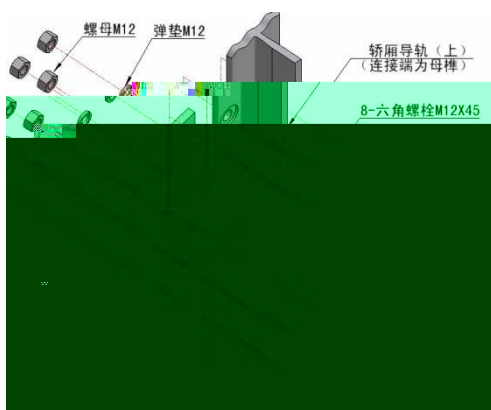
1

0.7mm



6-16

6.8



6-17

6.9

6.9.1

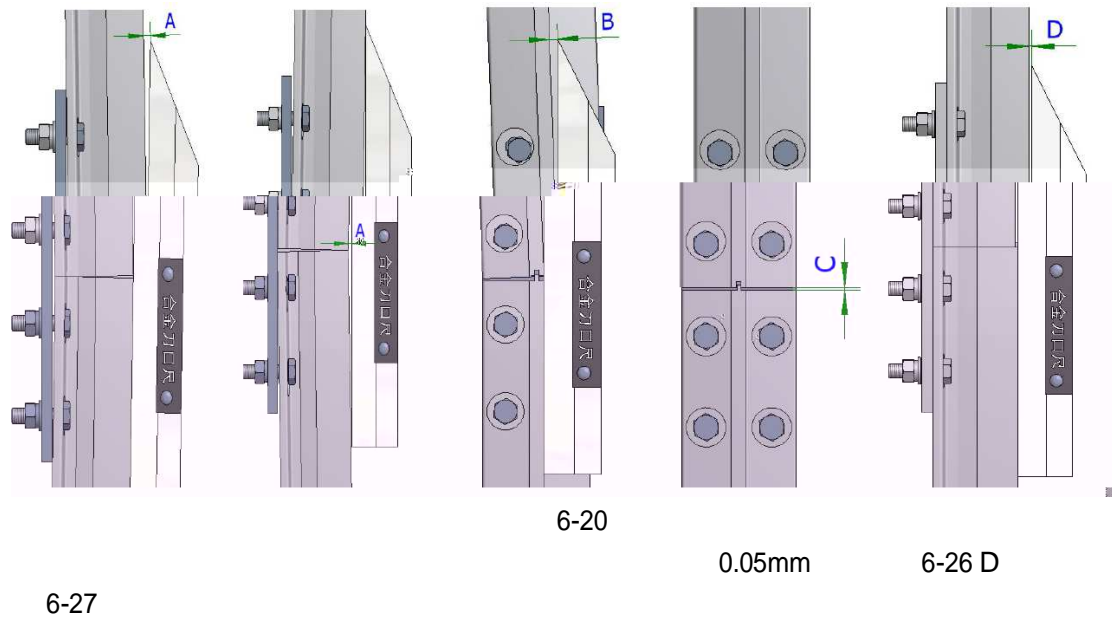
1+ 5 +
 2+
 3+
 4+ 2000mm L
 5+ 3mm 7mm 7mm 3mm
 6+
 7+ 6-1

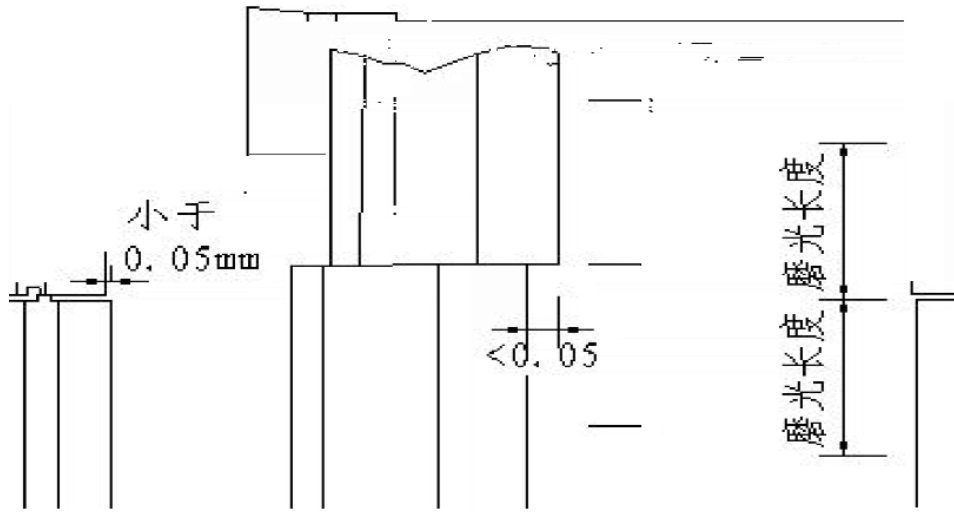
	2m/s		2m/s	
	0,)0.8	0,)1.5	0,)0.8	0,)1.5
	1	1.5	1	1.5

8+ 6-2

	!	"	C	D
mm	0.05	0.05	0.5	0.05

300mm 500mm
 ! " C D 5 6-26+
 0.05mm 6-26 ! "
 0.5mm 6-26 C





6-21

0.02mm

6-3

6-3

5m/s+	2.5m/s	2.5m/s
5mm+	300	200

7

7.1

THP

JJ

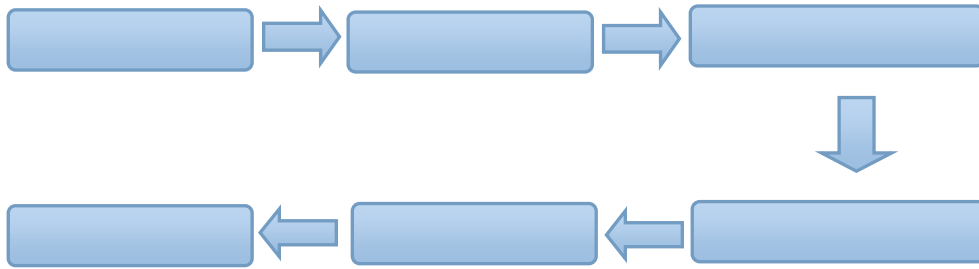
JJ

分級	L 標準長	L00	A 1L	A 2L	A 3L
JJ=1600	L01	2600	380	700	
JJ=1700	L02	2750	405	725	
JJ=1800	L03	2900	430	750	
JJ=1900	L04	3050	455	775	
JJ=2000	L05	3200	480	800	
JJ=2100	L06	3350	505		
JJ=2200	L07	3500	530		
JJ=2300	L08	3650	555		
JJ=2400	L09	3800	580		
JJ=2500	L10	3950	605		
JJ=2600	L11	4100	630		
JJ=2700	L12	4250	655		
JJ=2800	L13	4400	680		
JJ=2900	L14	4550	705		
JJ=3000	L15	4700	730		
JJ=1500	L16	2450	355	675	
JJ=1600	L17	2300	330	630	

JJ

JJ

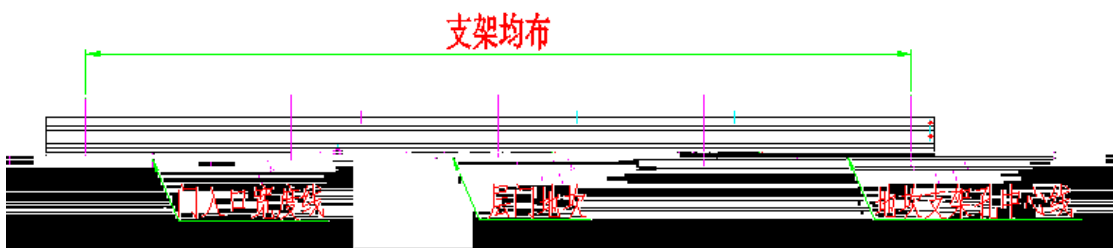
7.2



7.3

7.3.1

7-1

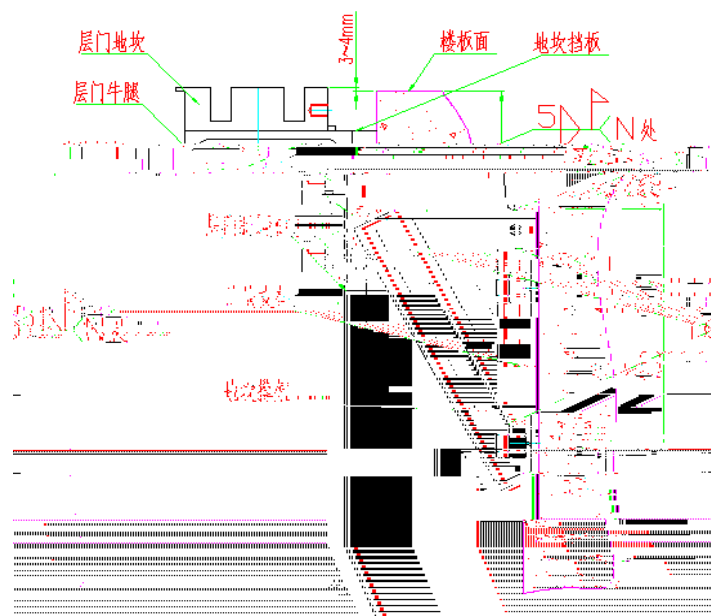


7-1

7.3.2

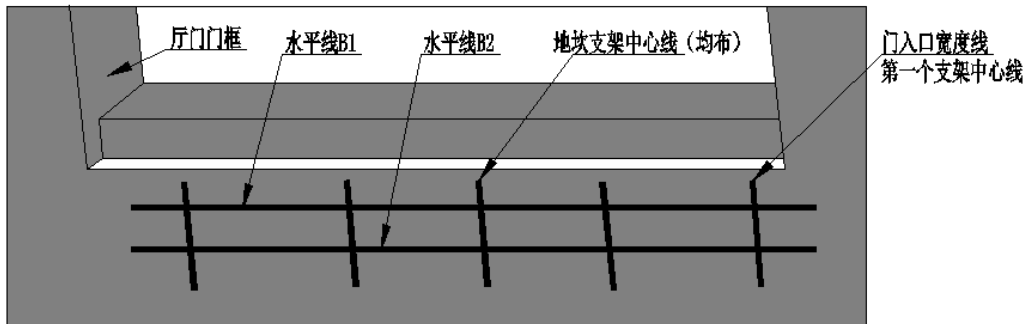
- 1)
- 2)

3 4



7-2

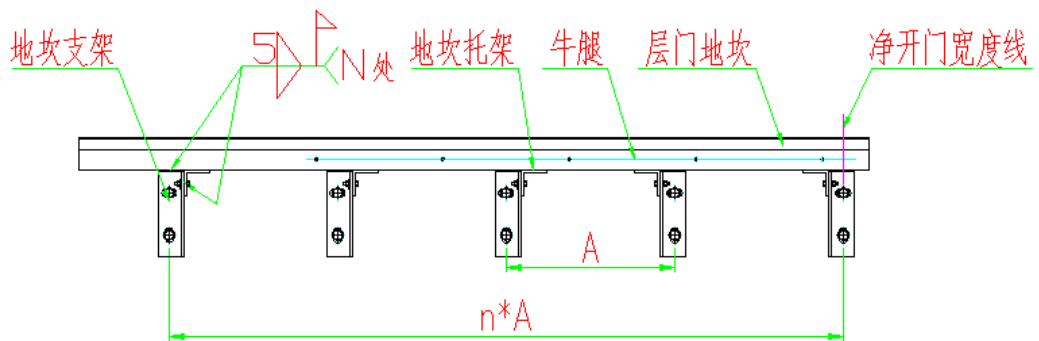
"1 "2
100 "2
M10680



7-3

7.3.3

M10680



7-4

7.3.4

1/1000

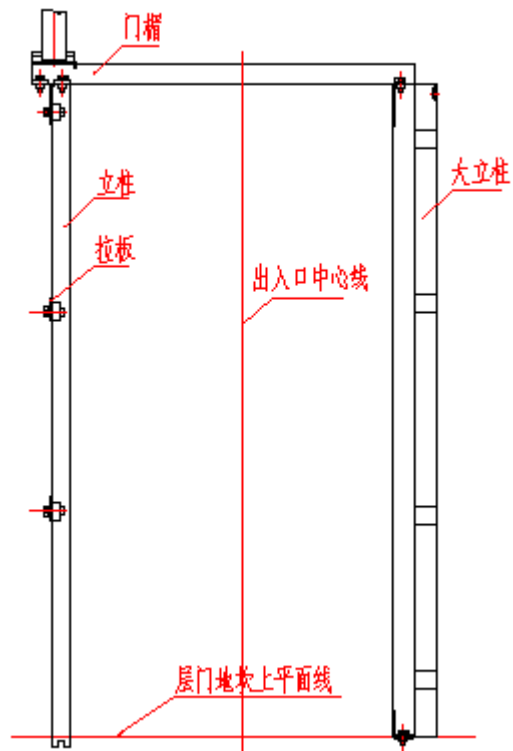
3 4

30 32

7.4

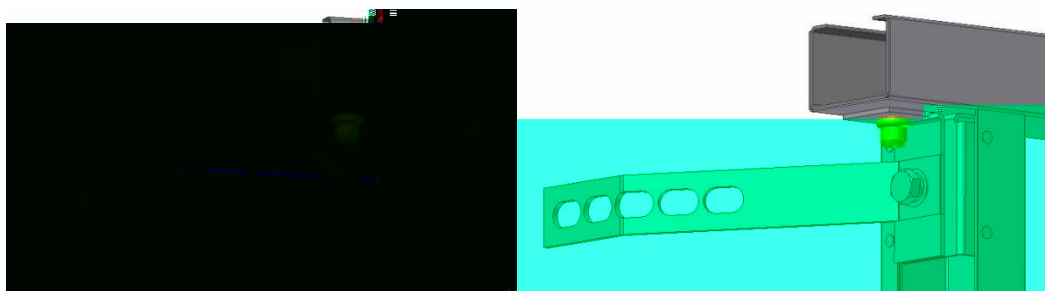
7.4.1

7-5



7-5

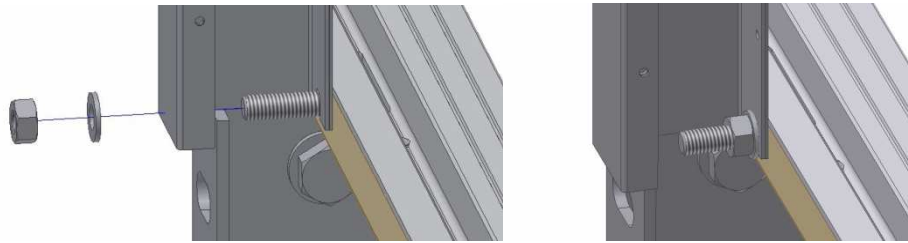
7.4.2



7-6

7.4.3

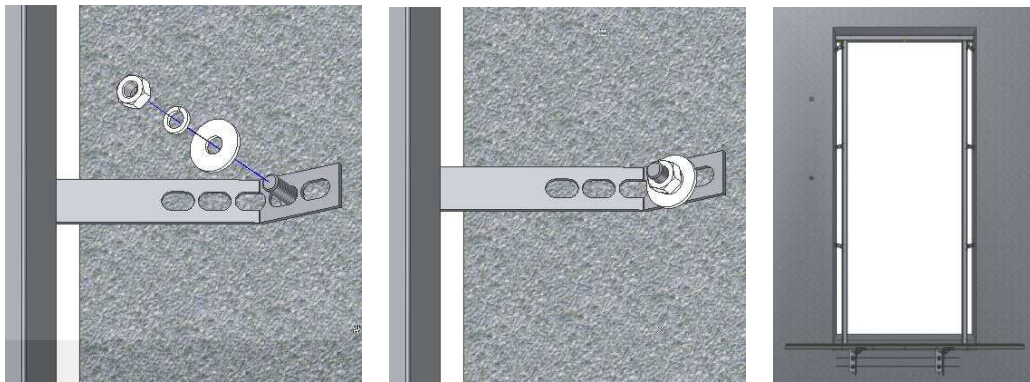
7-7



7-7

7.4.4

7-8



7-8

7.4.5

1/1000

1/1000

7.5

7.5.1

7-9

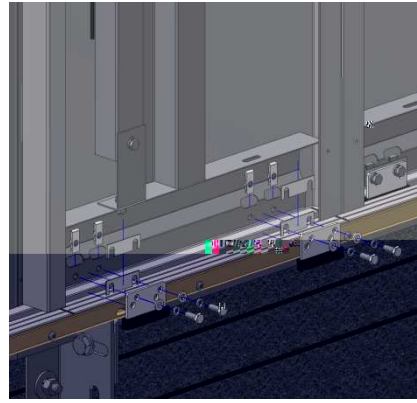
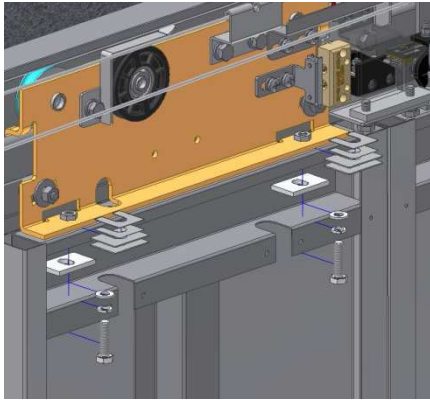


7-9

(00/R11 0.56

2018

- 38 -



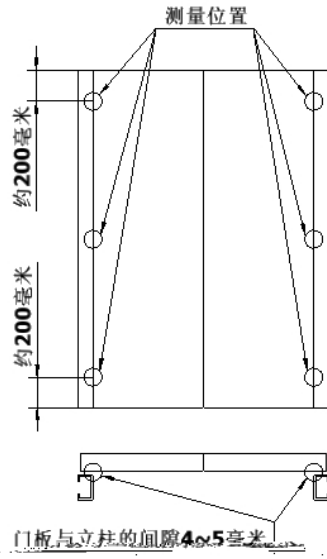
7-12

7.6.2

● 7

4 5

4 5 7-15

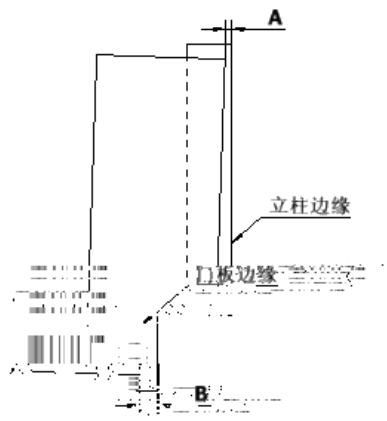


3+

7-15

1.0

7-16

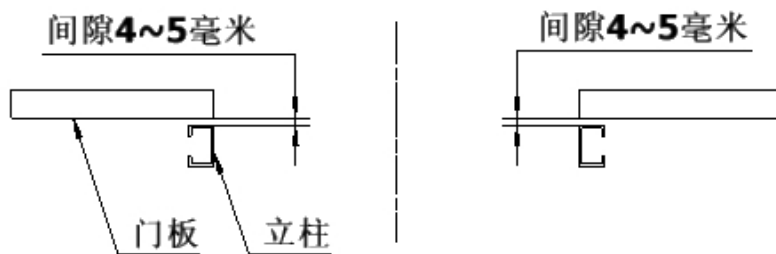


$|A-B| \leq 1.0$ 毫米

7-16

4

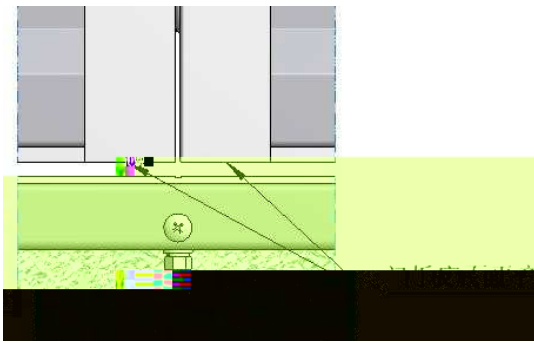
7-17



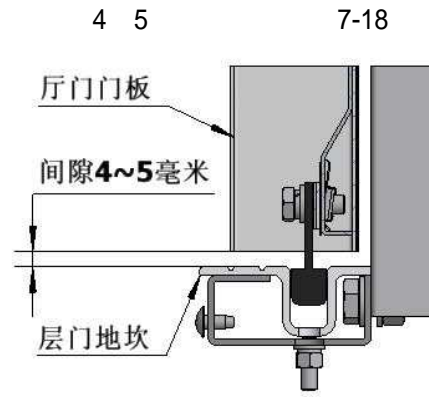
开门状态

7-17

4+



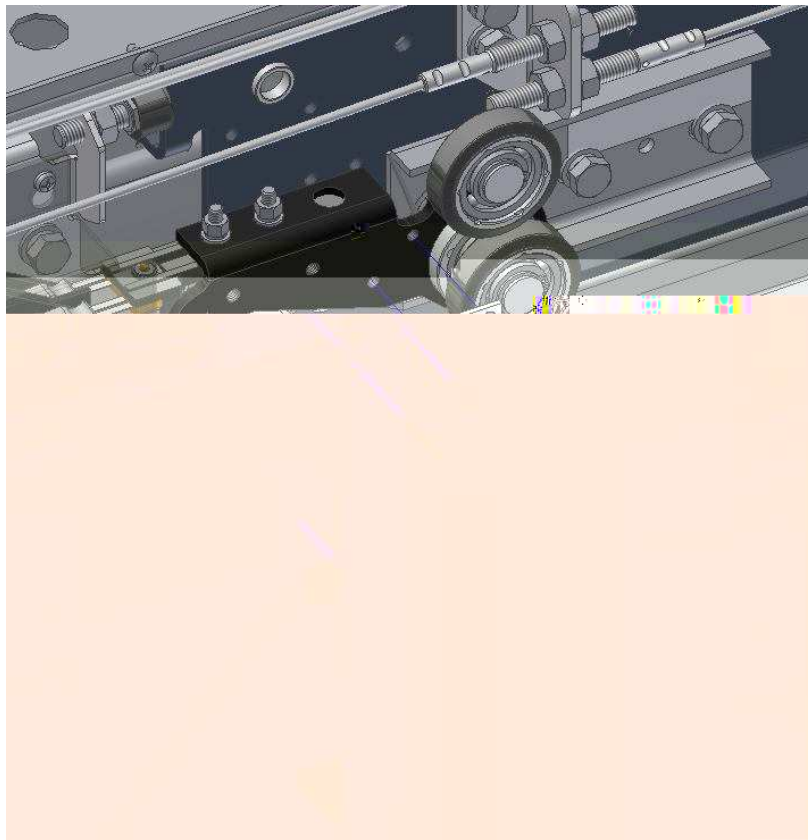
7-18



7.7

7.7.1

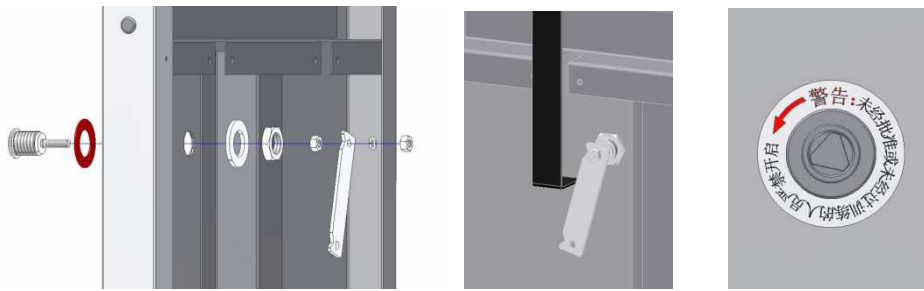
7-19



7-19

7.7.2

7-20



7-20

7.7.3

7.7.4

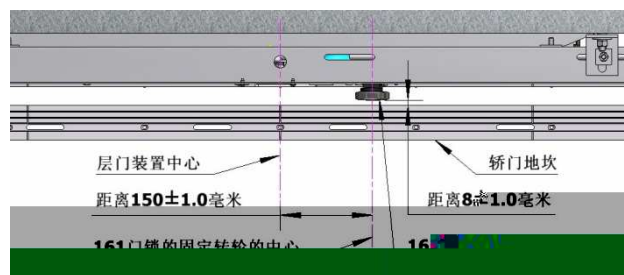
0.

1.

8 1.0

150 1.0

7-21

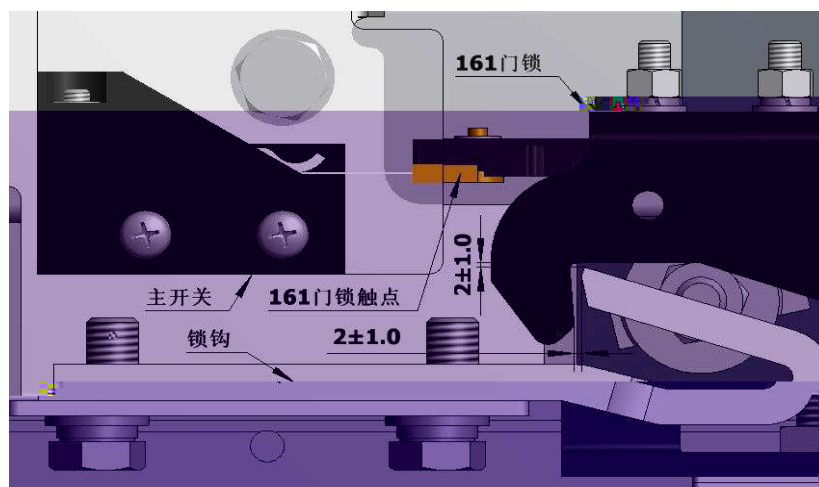


7-21

2.

2 1.0

7-22



7-22

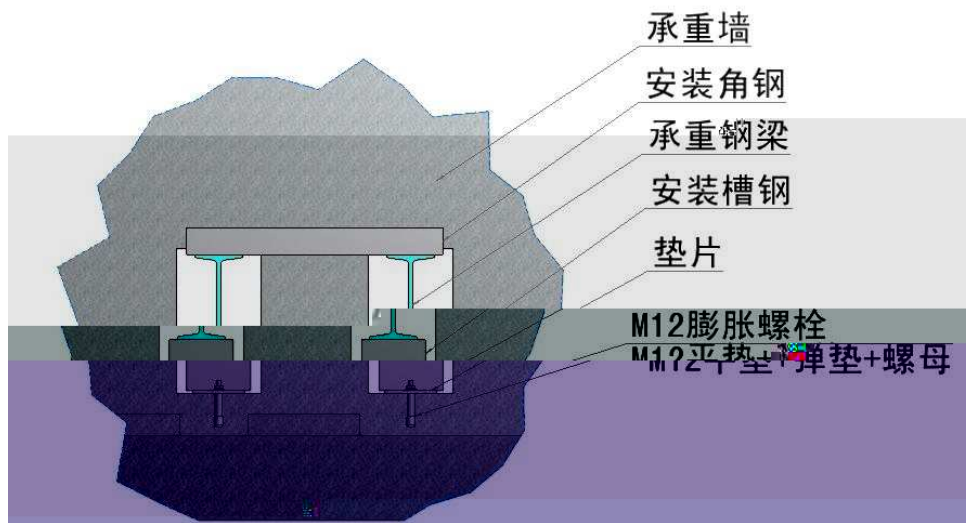
7.9

8

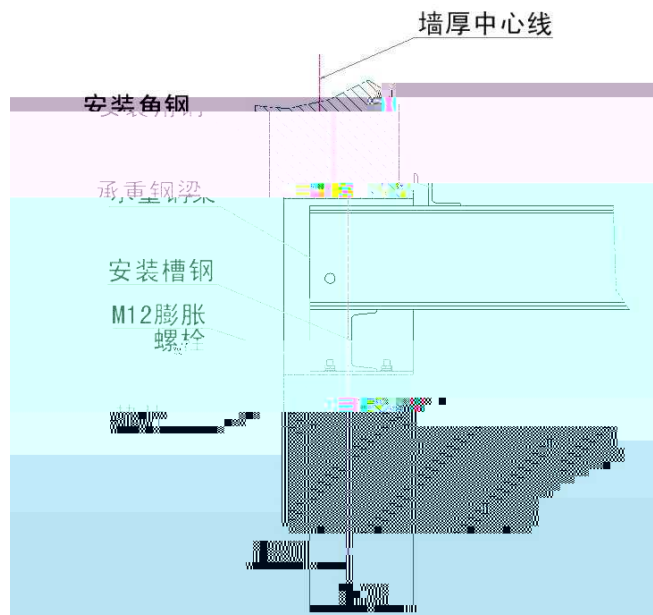
8.1

GB10060-2011

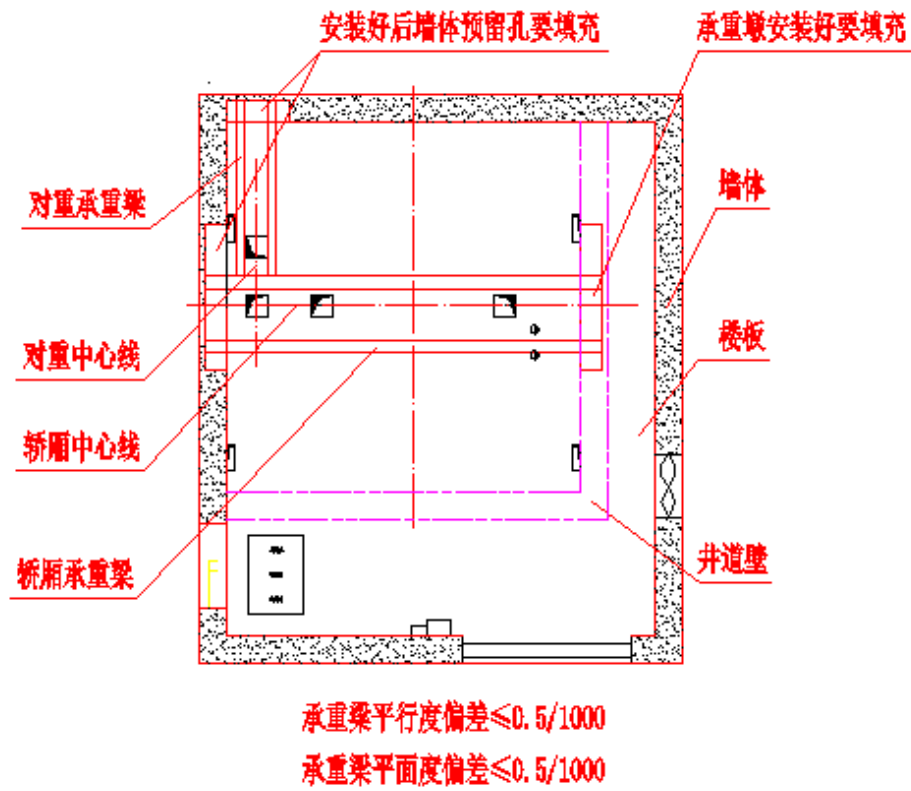
20mm



8-1



8-2



8-3

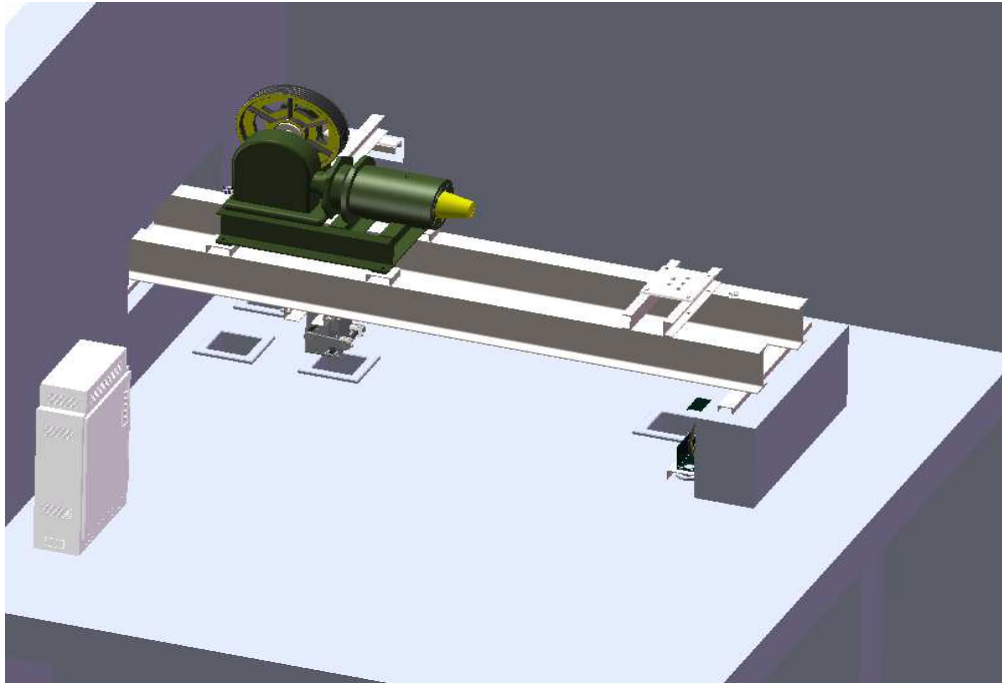
8.2

" 10060-2011

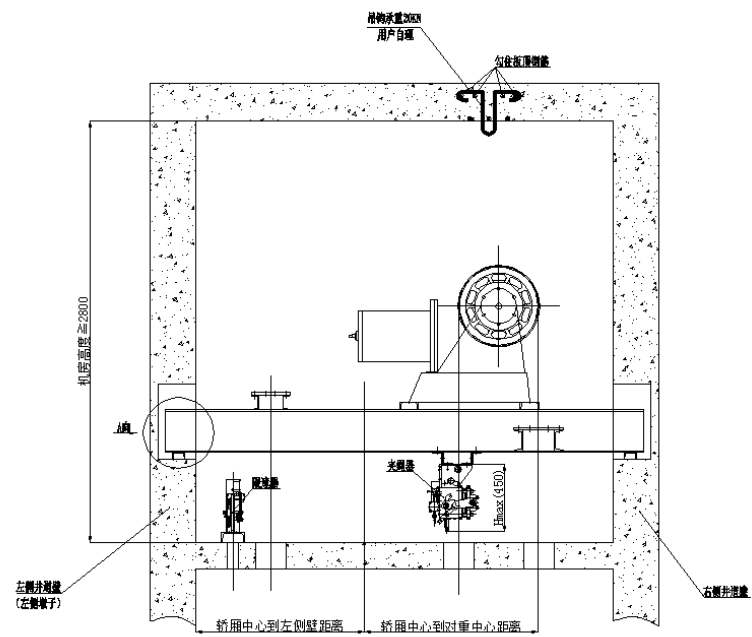
8.2.1

8.2.2

7



8-4



8-5

- | | | |
|----|-----|-----|
| 0. | | 1mm |
| 1. | 1mm | |
| 2. | | 1mm |
| 8. | | 1mm |
| 9. | | 2mm |

∴
g.
∴
<

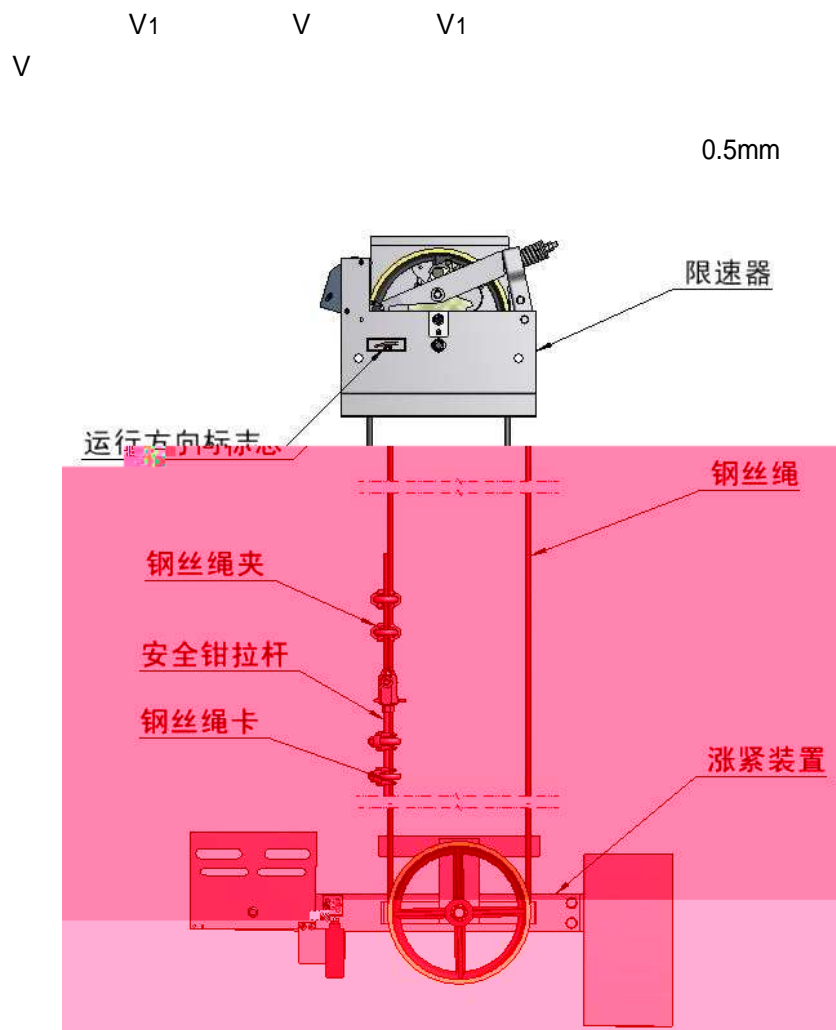
2mm

0.7mm

9

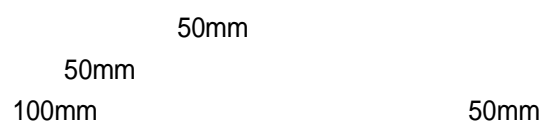
9.1

9.2

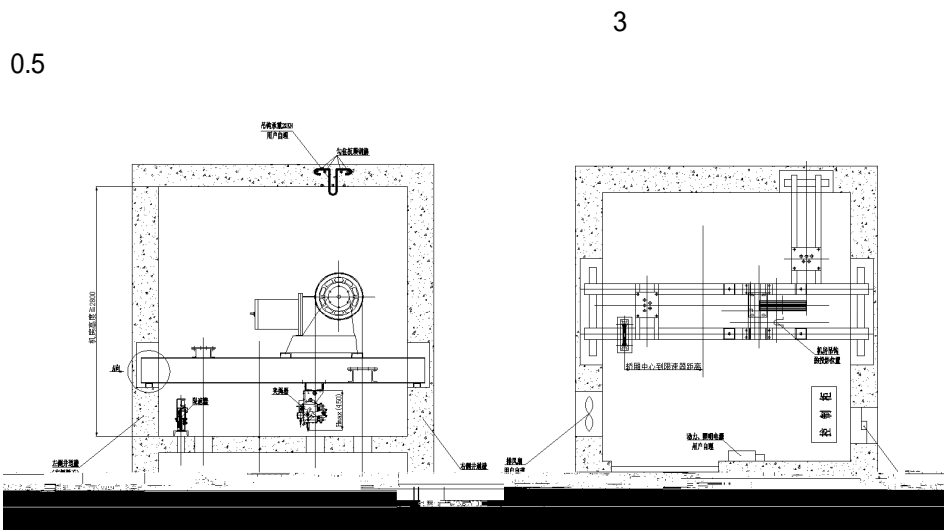


9-1

9.3



9.4



9-2

9.5

3

6D D

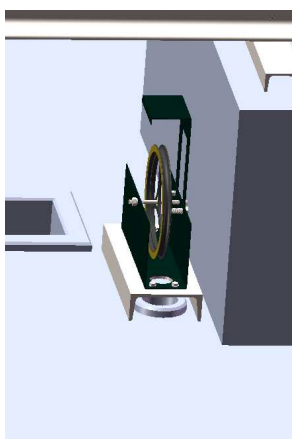
4

9.6

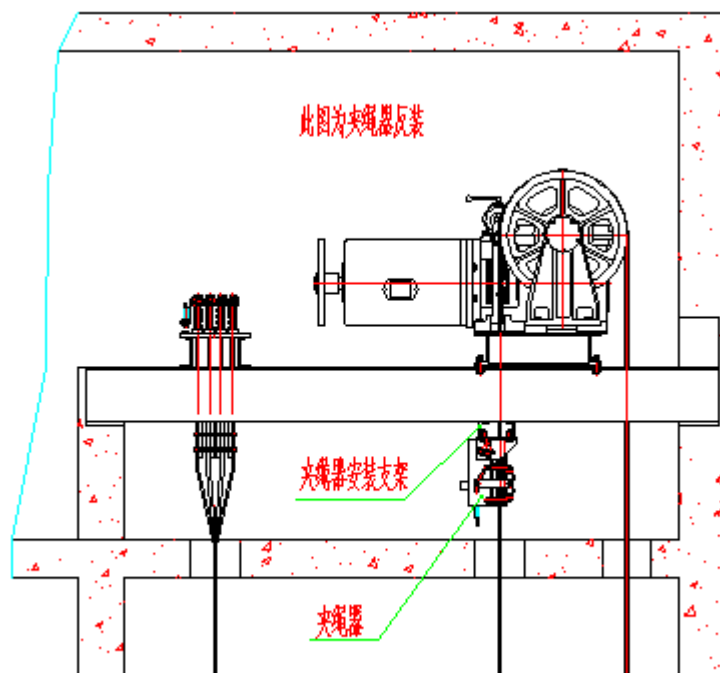
! 400 50mm

300N

3mm

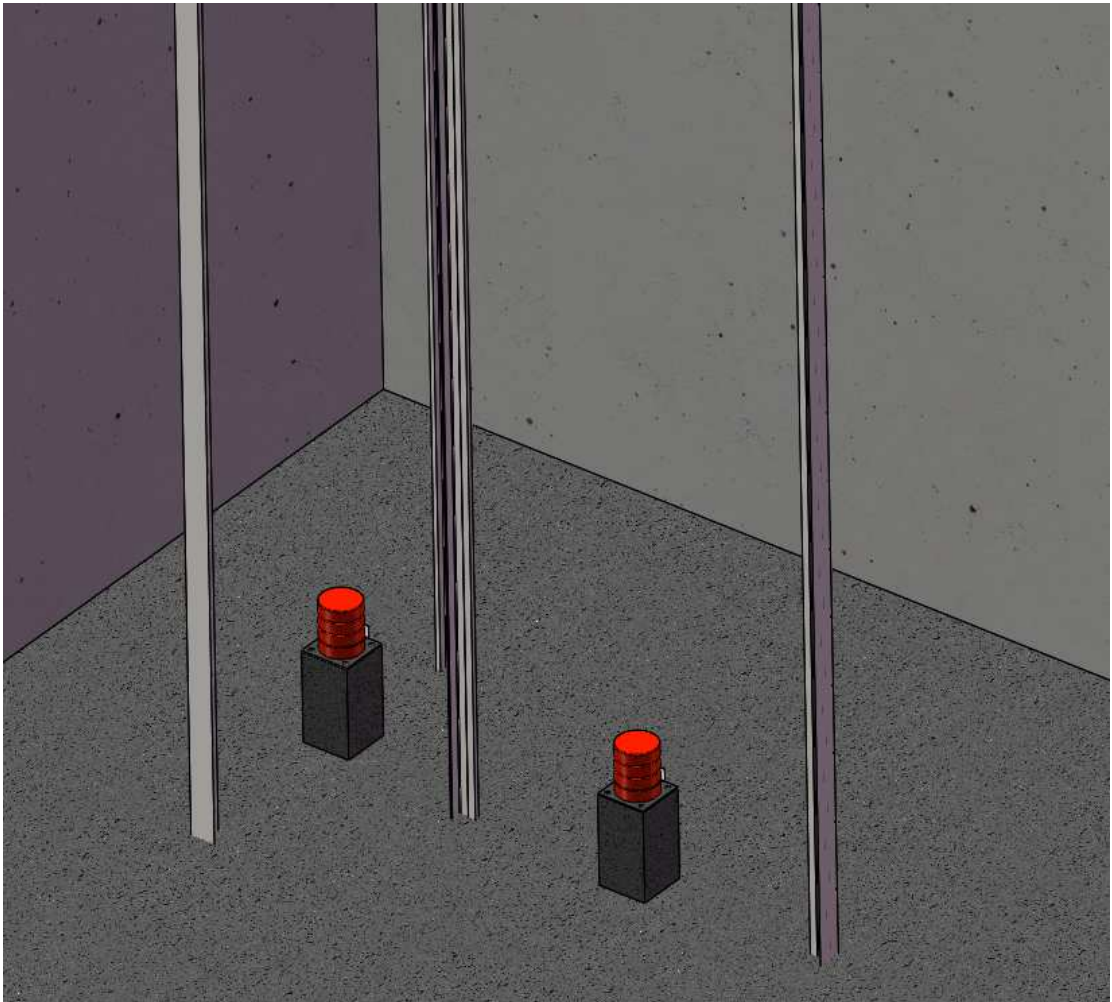


9-3



10

10.1



10-1

0.

0.5 *

1.

20mm

2mm

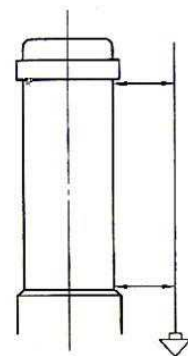
2.

8.

150 400mm

9.

150 400mm



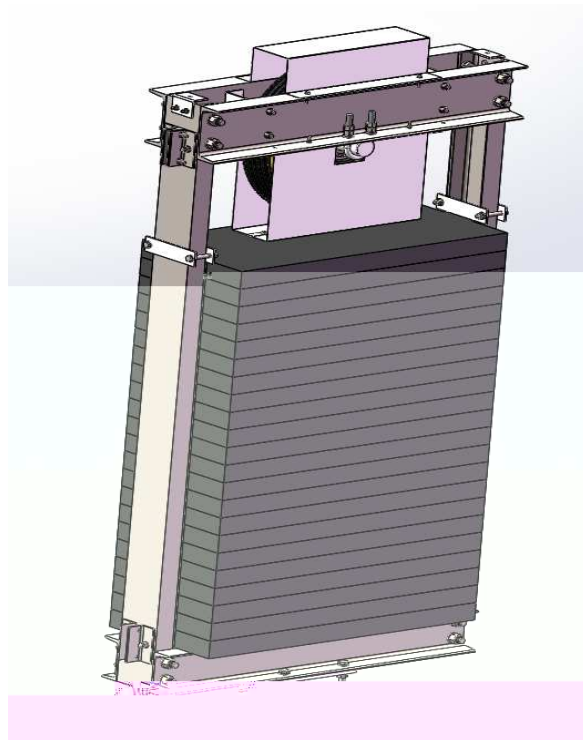
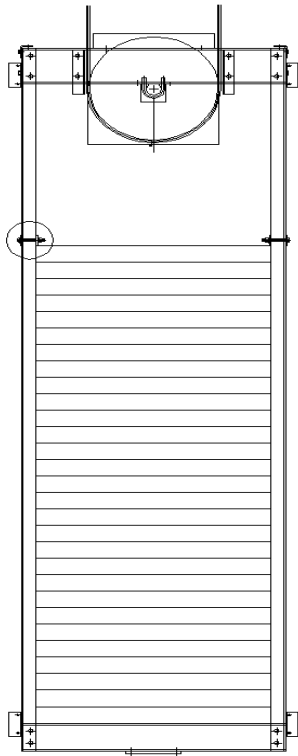
10-2

10.2

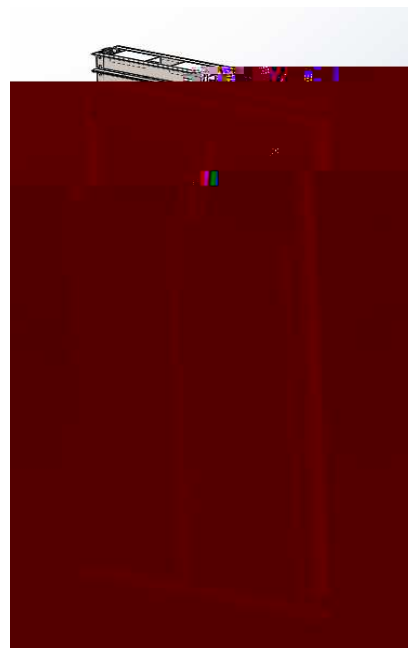
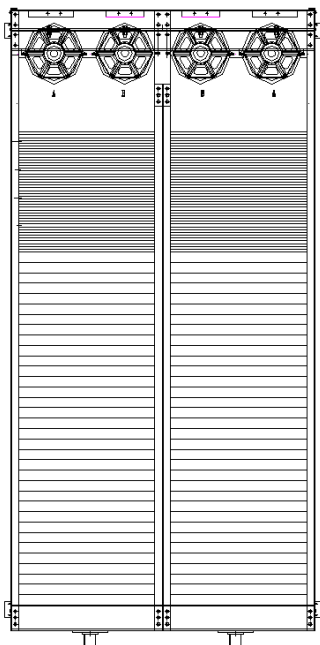
10.2.1

3mm

10.2.2



10-3 2(1)



10-4 4(1

!! " "

8(1

!! " "

10.2.3

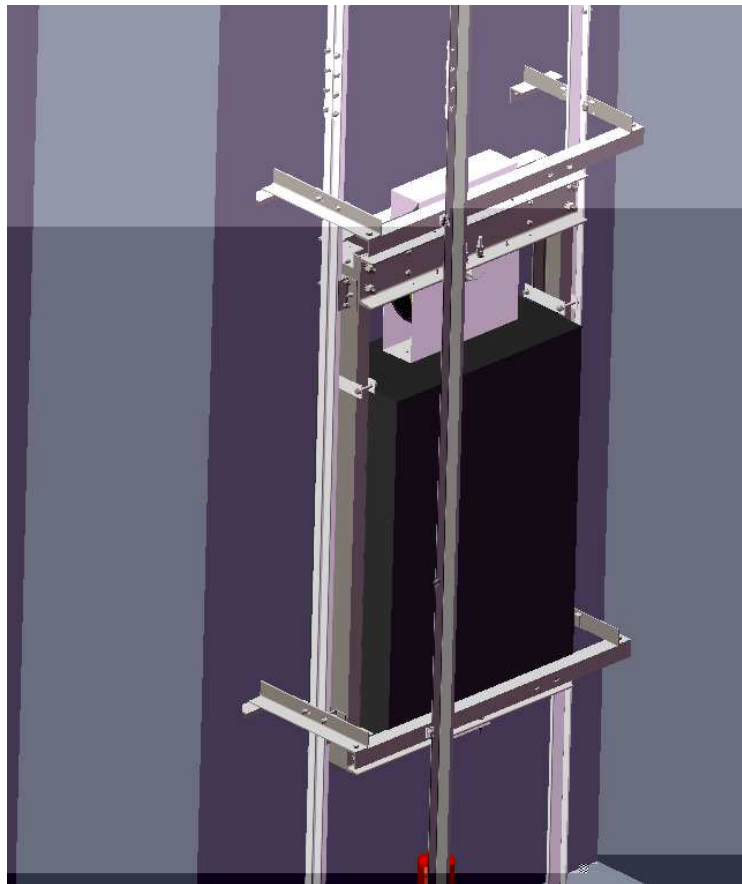
10.2.4

50 mm

10.2.5

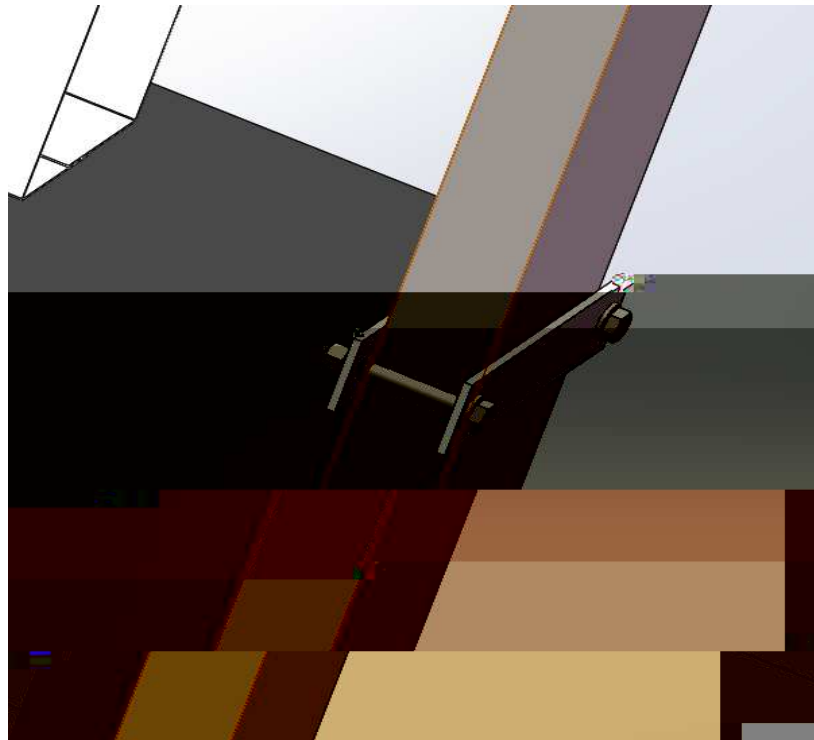
4

10-5



10-5
50 *

4



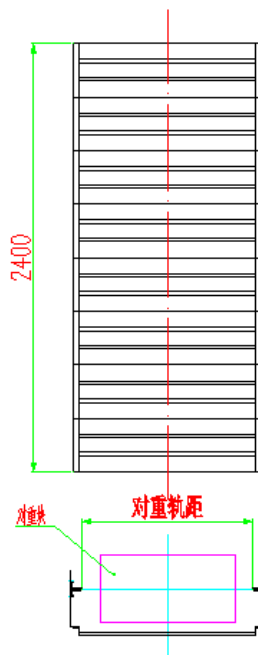
10-6

10.2.6

10.2.7

300mm

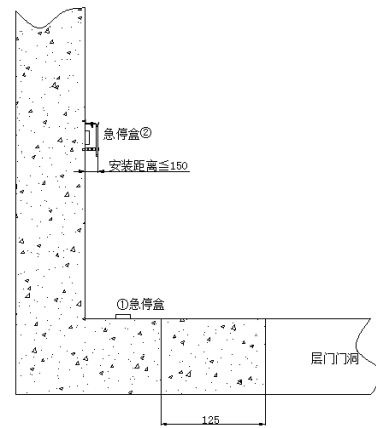
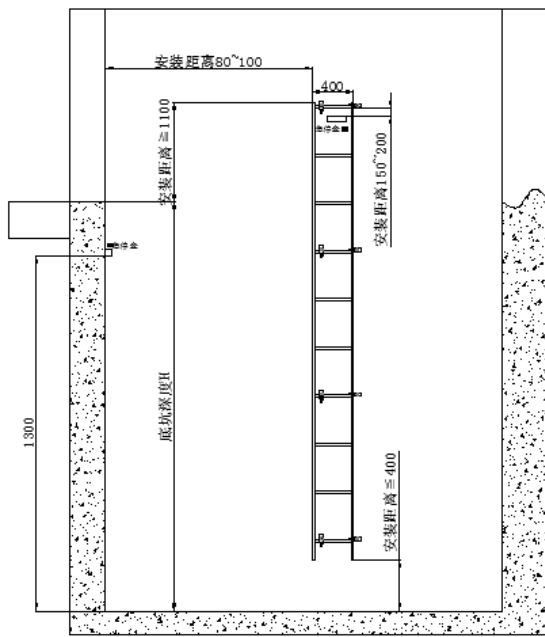
2500mm



10-7

10.3

10-8

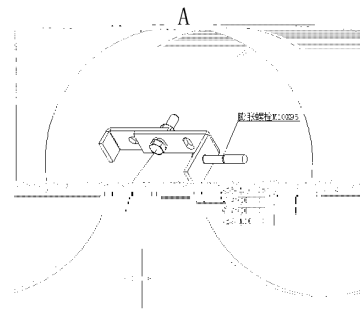
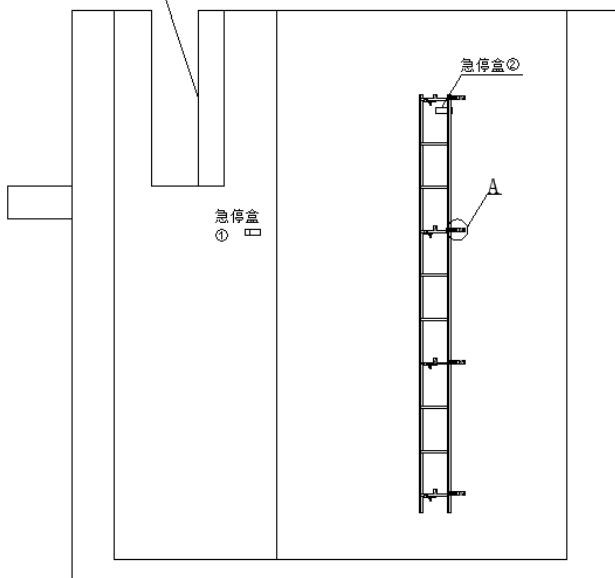


10-8

- 1. ① 1300mm
- 2. ② 150mm, 200mm=

125mm

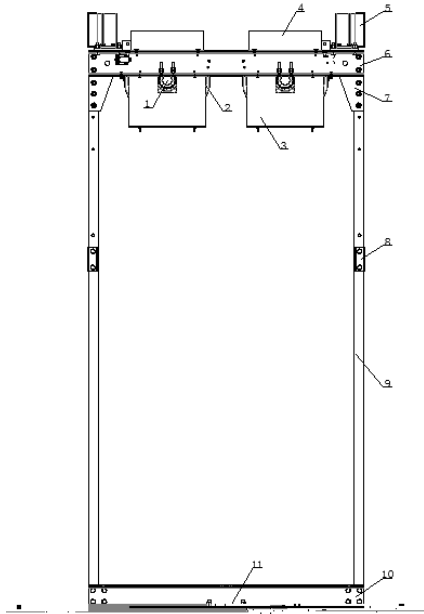
层门洞



10-9

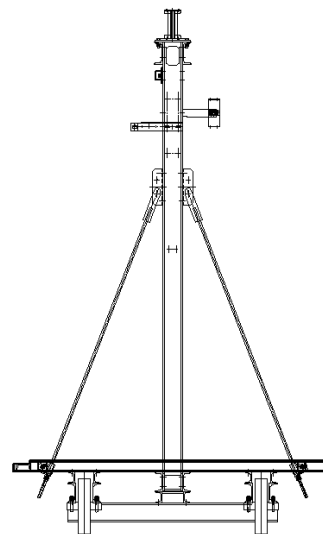
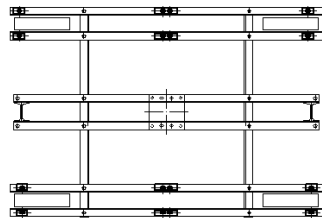
- 1.
- 2.
- 3.

11

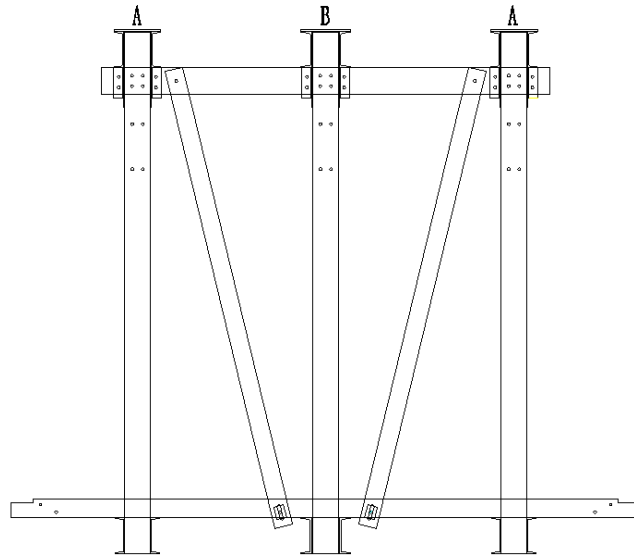


11-1

- | | | |
|-----|-----|----|
| 1. | 2. | 3. |
| 4. | 5. | 6. |
| 7. | 8. | 9. |
| 10. | 11. | |



11-2



11-3

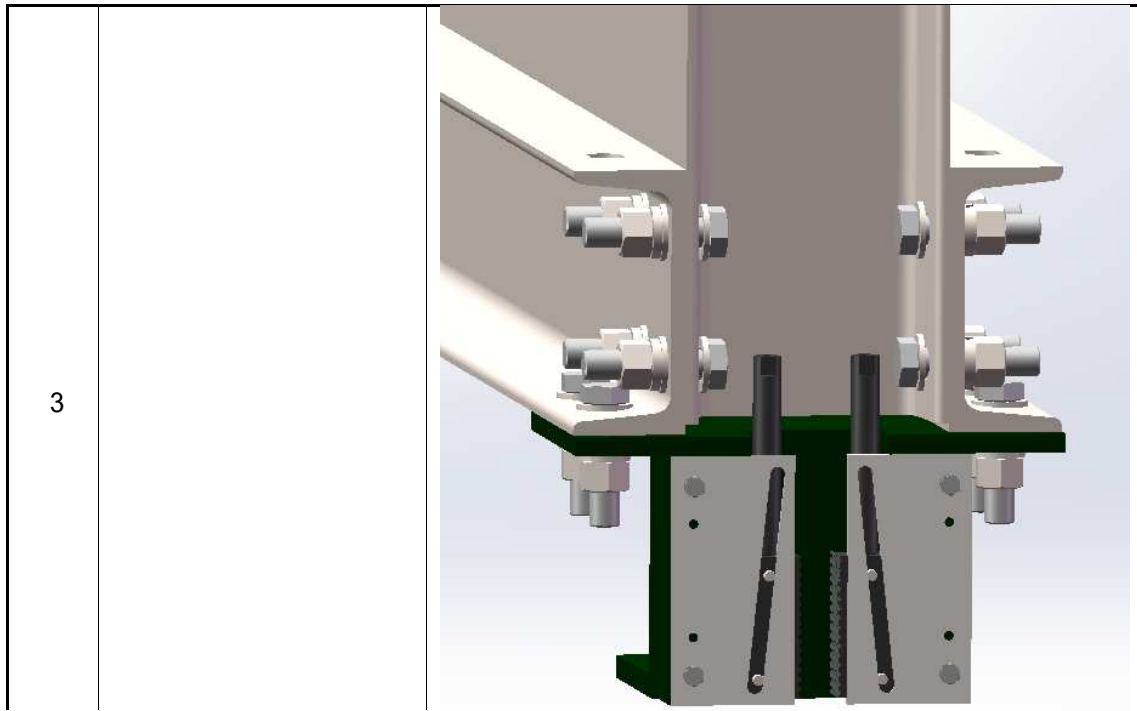
!"

!"!

11.1

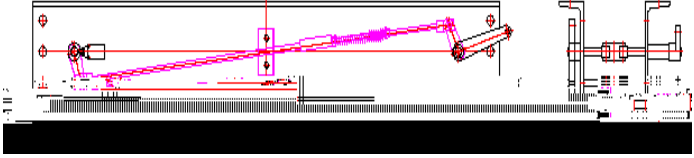
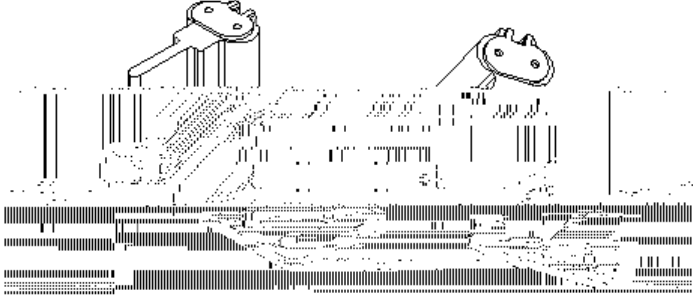
11.1.1

1		
2		



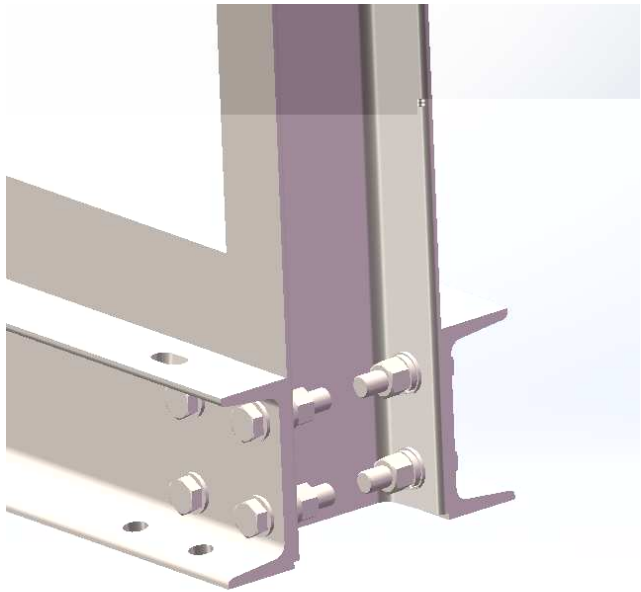
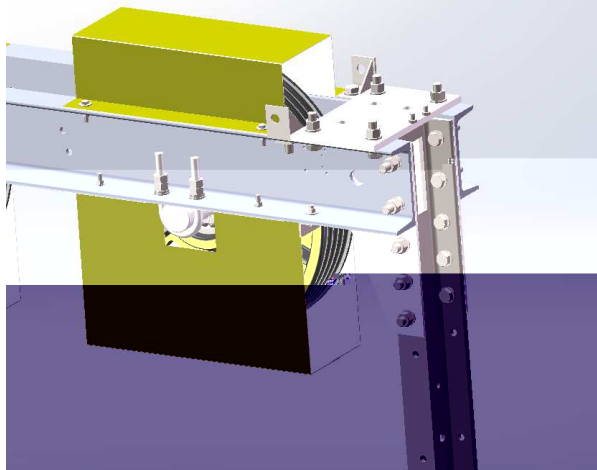
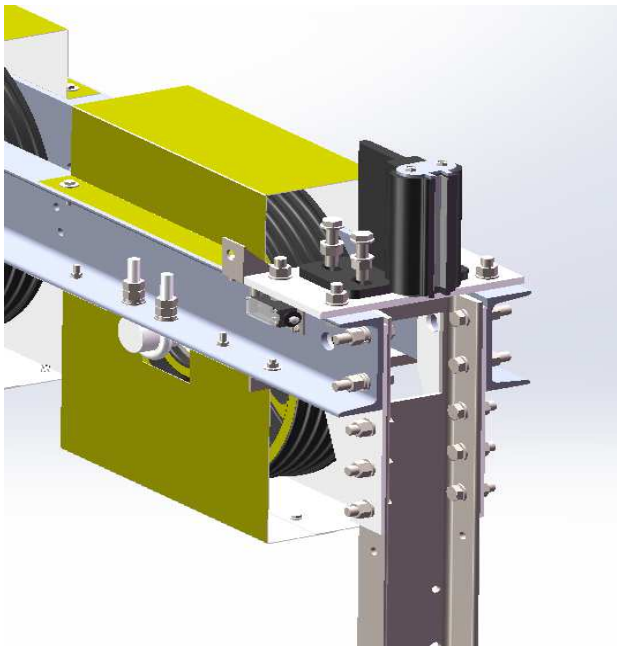
3

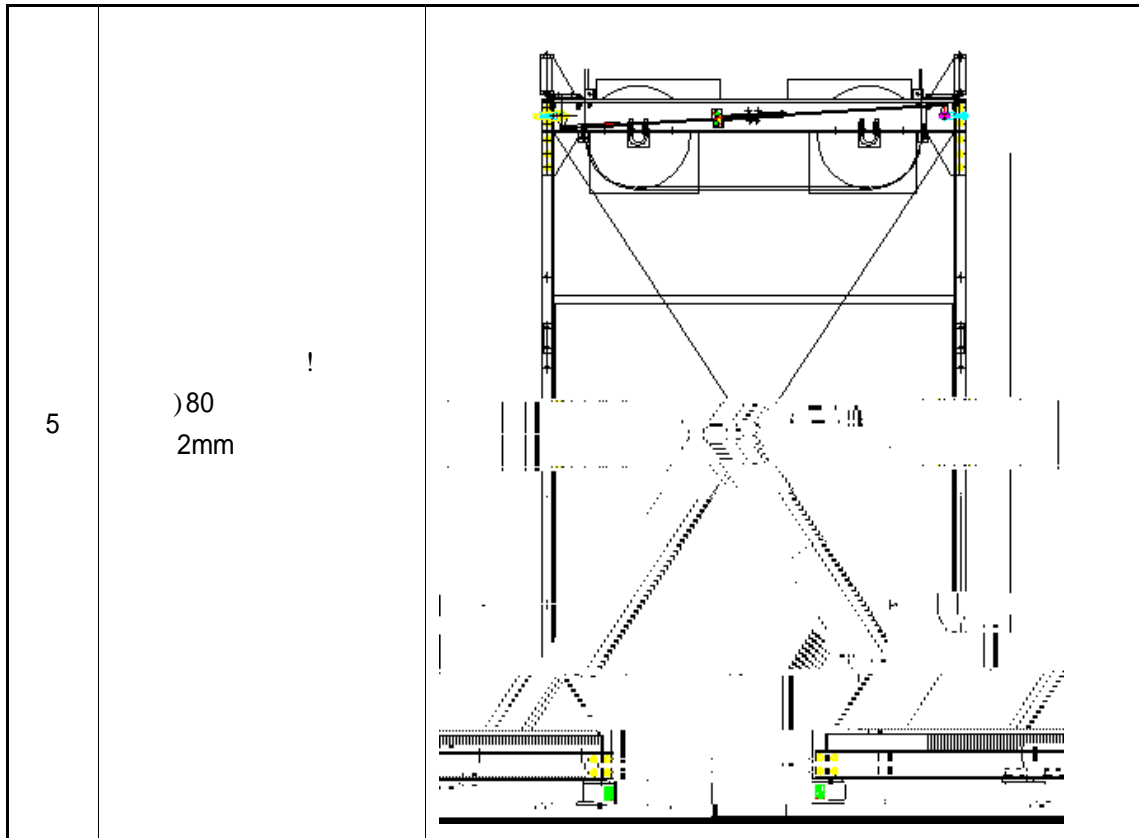
4

<p>4</p>		
<p>5</p>	<p>6</p>	

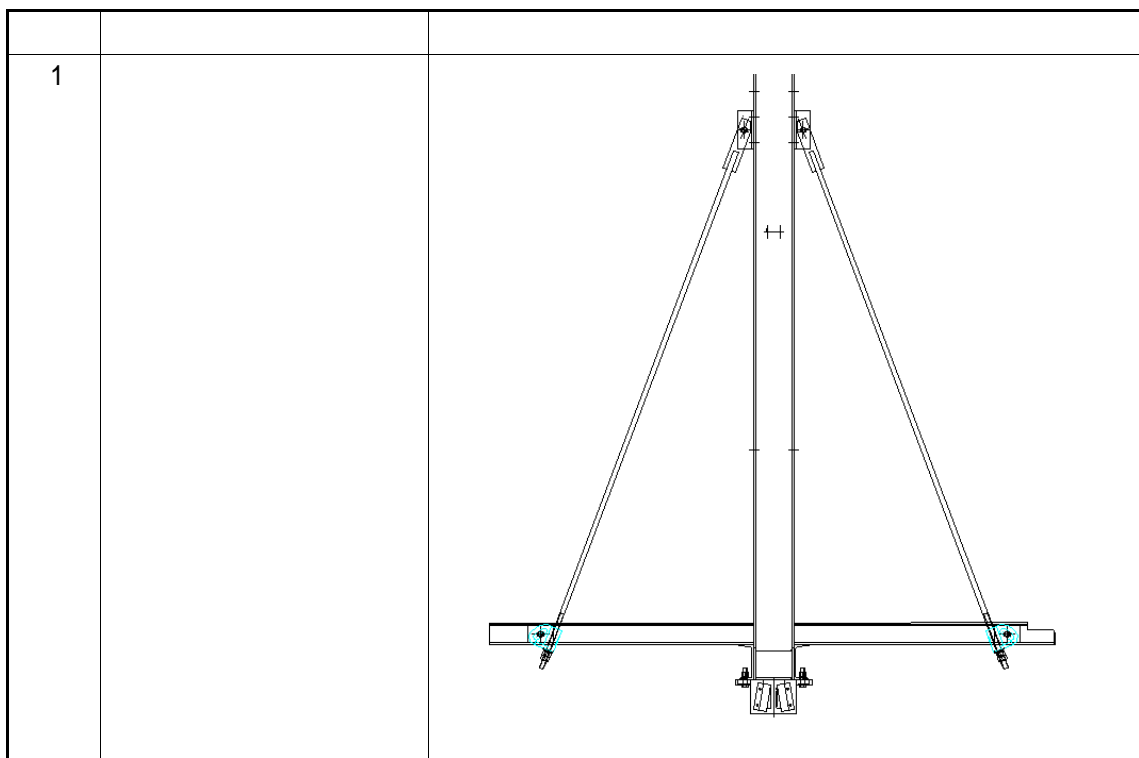
11.1.3

<p>1</p>		
----------	--	--

<p>2</p>		
<p>3</p>		
<p>4</p>	<p>4</p>	



11.2



12

12.1

" 10060-2011

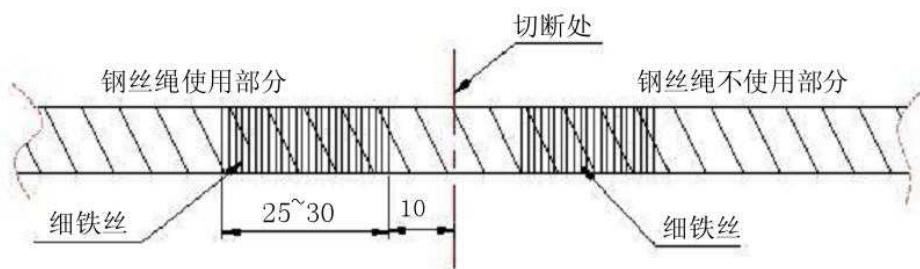
4.2.11

" 10060-2011 4.5.5

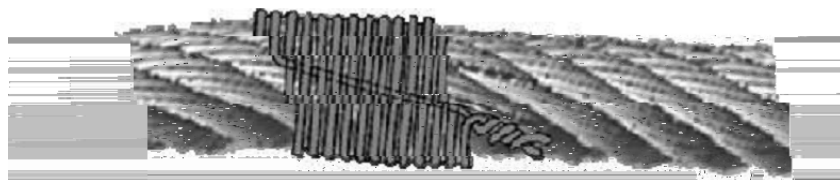
12.2

5%

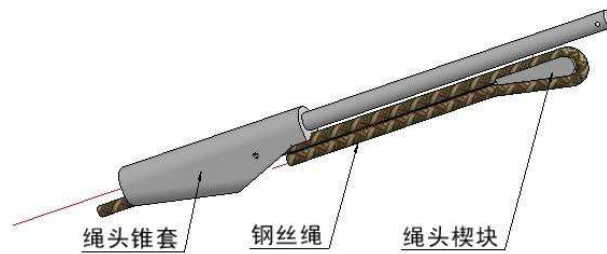
12.3



12-1



12-2

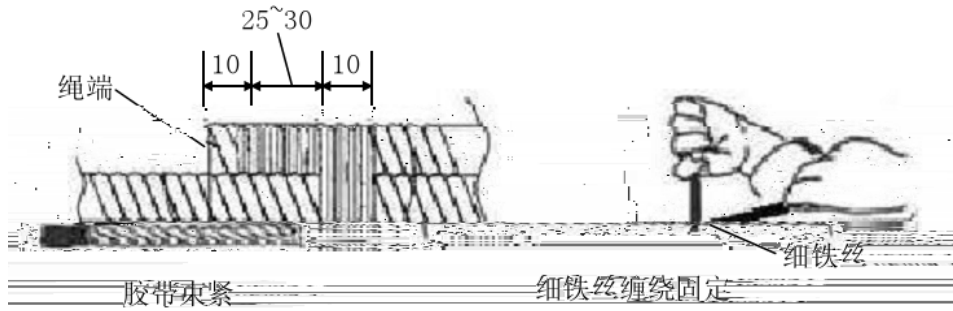


12-3

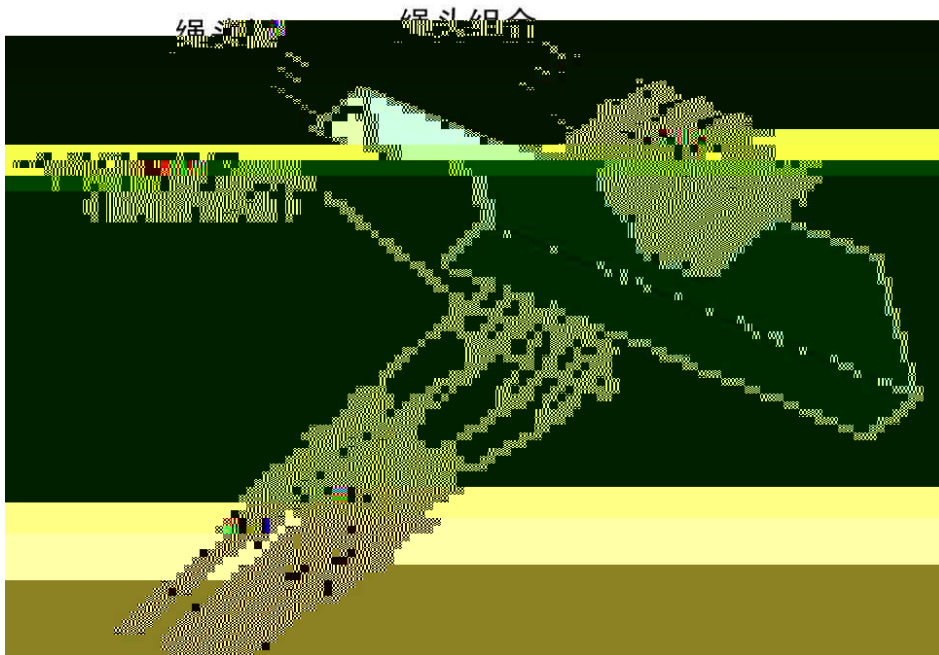


注：钢丝绳夹型号应与钢丝绳相匹配，钢丝绳夹间距应大于钢丝绳公称直径的6倍，安装需牢固。

12-4



12-5



12-6

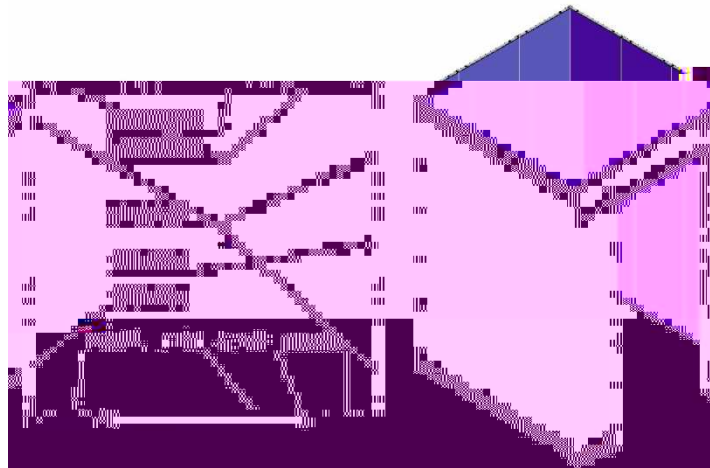
12.4

2/1000

0-)2mm

13.3

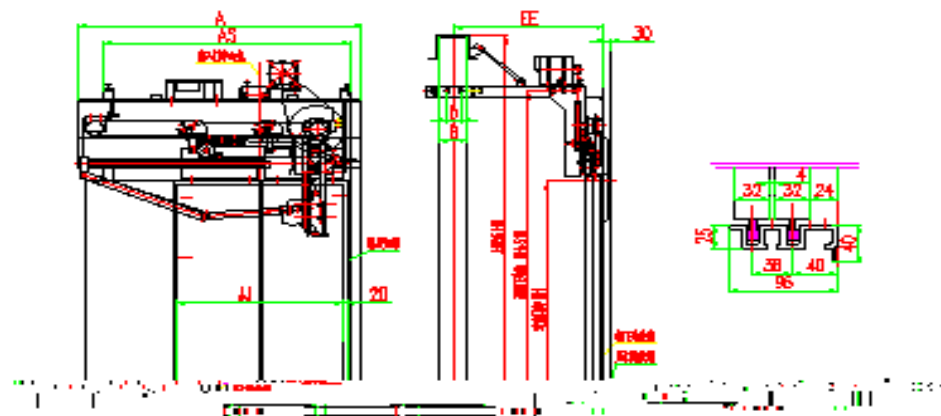
1/1000



13-2

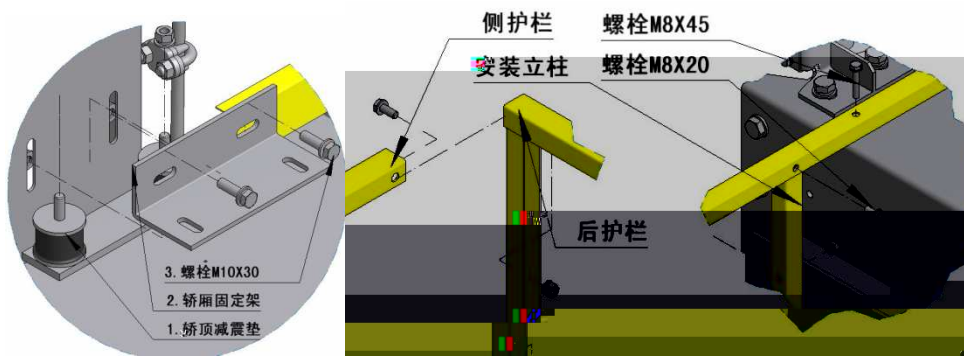
13.4

2mm



13-3

13.5



13-4

3,5mm

14

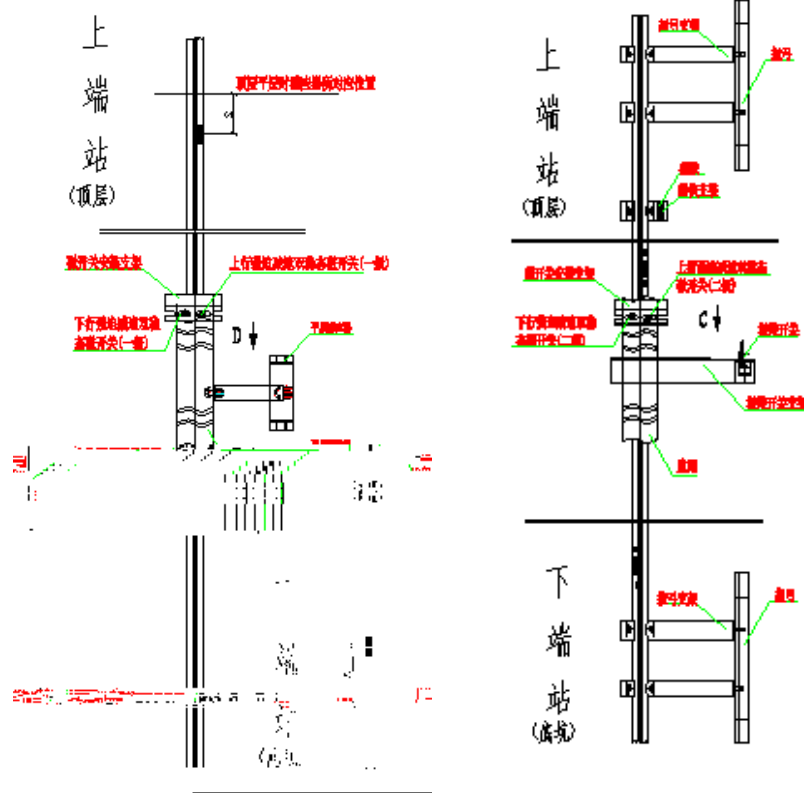
14.1

150mm

14.2

80mm

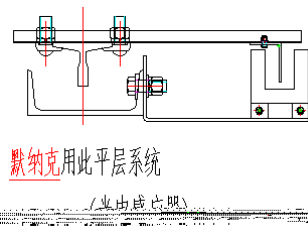
14.3



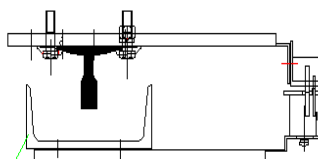
14-1

D向

C向



直梁



v (速度)	S (减速度)
0.5	0.7
1.0	1.3

14-2

16

16.1

16.2

1.

2.

16.3

16.4

220V

2#)#E

4m

16.5

0.5

4

1.5

#

#

2

16.6

16.7

16.8

30

17

17.1

17.1.1

500V

17.1.2

2 m

17.1.3

17.1.4

20mm

17.2

❖

3 m

❖

❖

5‰

❖

50mm

15mm

17.3

150mm

#VC

1

2

2

5‰

10mm

3

17.3.1

17.3.2

17.4

17.4.1

0.

1.

220V

2.

8.

2018

9.

40*

60*

∴

9.

17.4.2

1.

2.

3.

18



50mm

95 *

1m/s



10 *



5N

0.1mm

3mm

1.6m/s

D"

Q/NÝ, X9ÎHn7ÊmÆHÐEµ" • ,X.ÄFVOp10.56 Tf3, p "HQ/NÝ89()T3636(9ÎHn)11.3636(7Êm

3mm

102m 6mm 5mm

5mm 10mm

10mm 1mm

5mm 4,6mm

